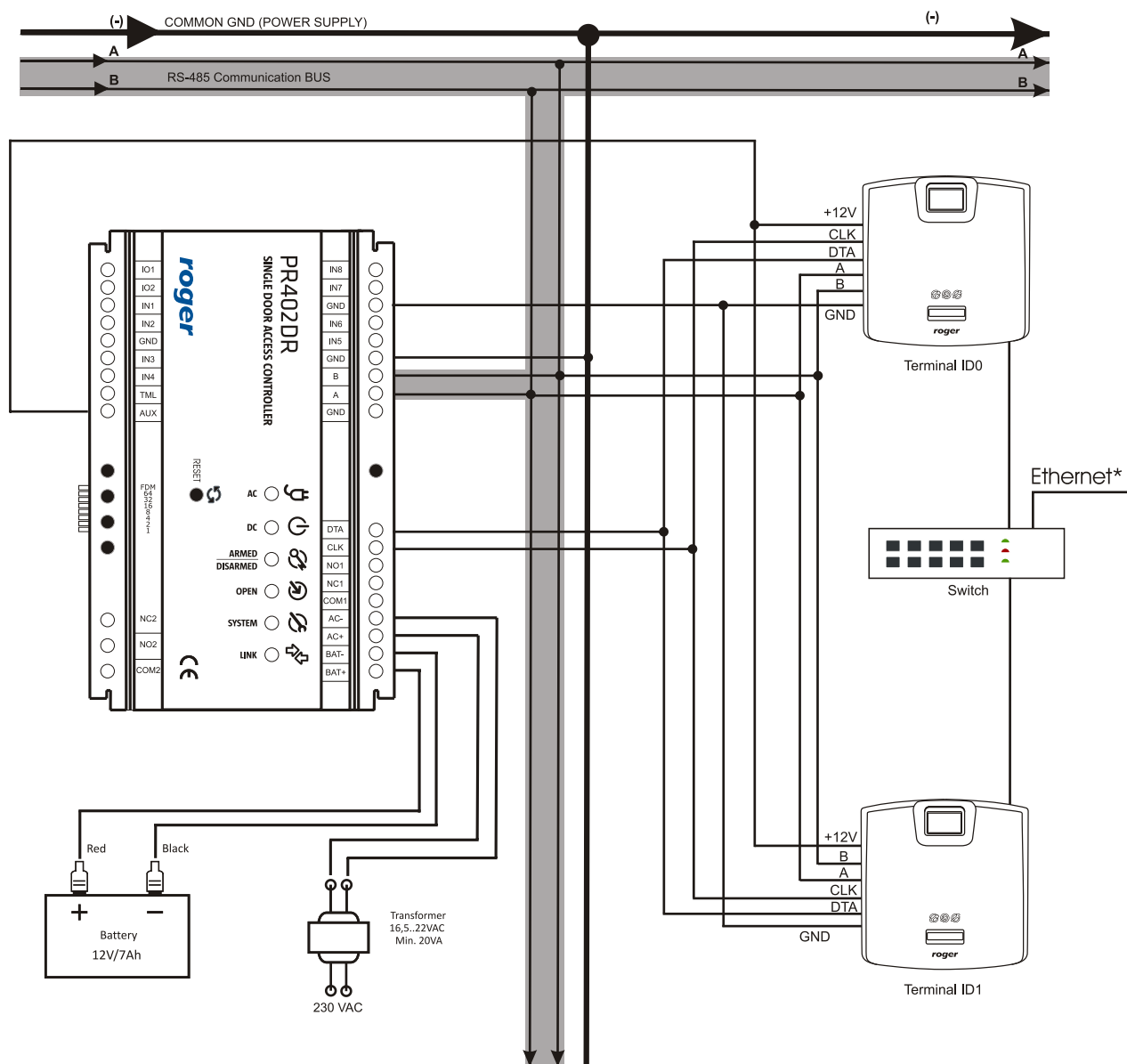




QUICK START GUIDE

Connection and communication of PR402DR access controller and RFT1000 fingerprint readers.

Typical installation of PR402DR access controller and RFT1000 fingerprint readers



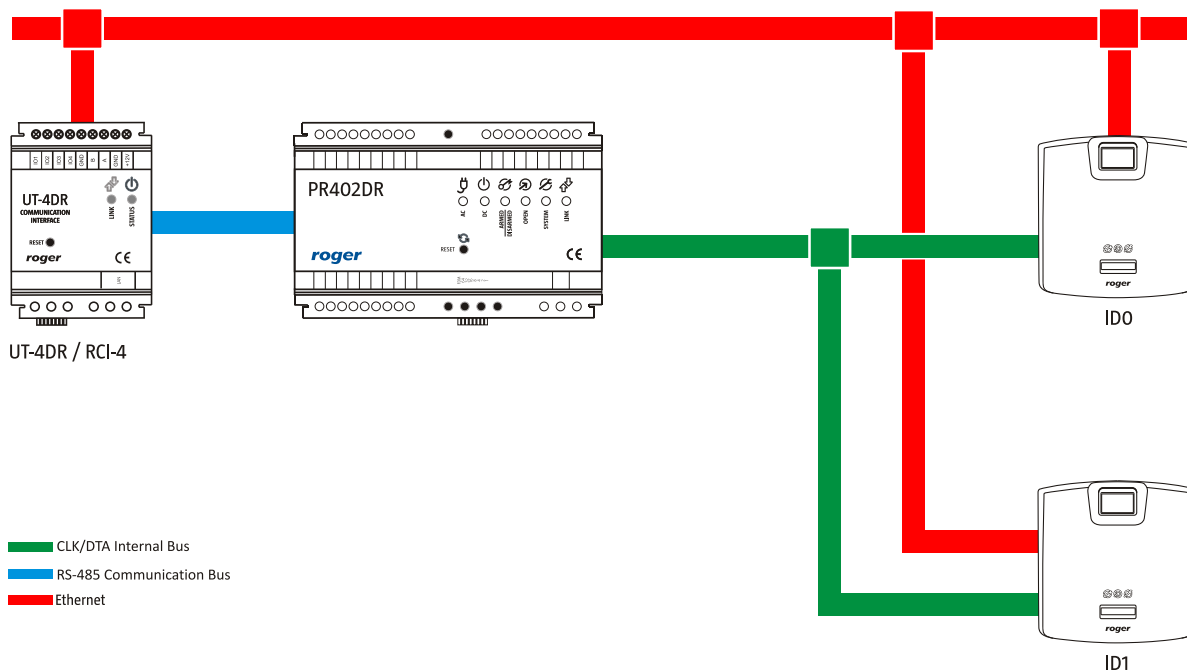
* NOTE! If the system is operated by means of Ethernet port then RS485 bus is not used for communication with RFT1000 readers.

Technical support is available in weekdays:

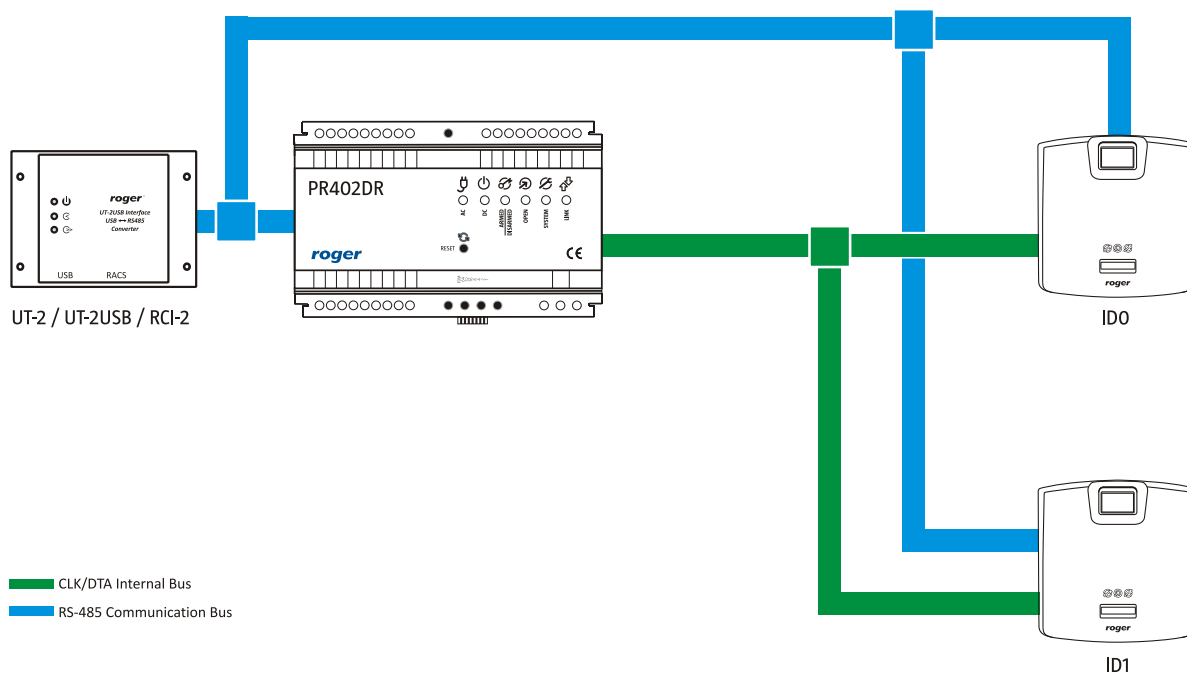
- from 8:00 am to 4:00 pm at PSTN number +48 55 267 01 26
- from 4:00 pm to 8:00 pm at GSM number +48 664 294 087

Possible scenarios of operation

1. Communication by means of Ethernet port



2. Communication by means of RS485 port



Legal Notice

This document is not intended to be a technical specification of the product and has informative character only. The Manufactures of product reserves right to change its characteristic without notice. The product features listed in this document refer to the entire series and depends on particular product version, configuration and additional equipment.

RevB © 2020 ROGER sp. z o.o. sp. k. All rights reserved. This document is a subject to the Terms of Use in their current version published at the www.roger.pl

ROGER sp. z o.o. sp. k.
Gościszewo 59
82-400 Sztum
Poland

T. +48 55 272 0132
F. +48 55 272 0133
E. roger@roger.pl
I. www.roger.pl

roger