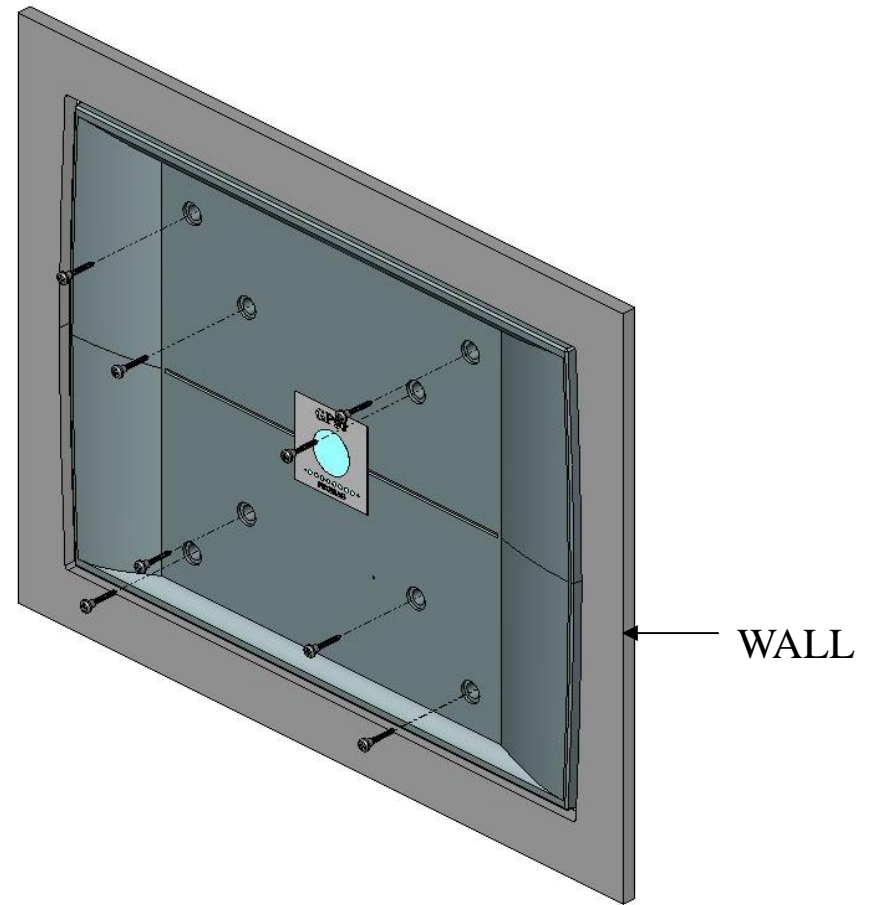
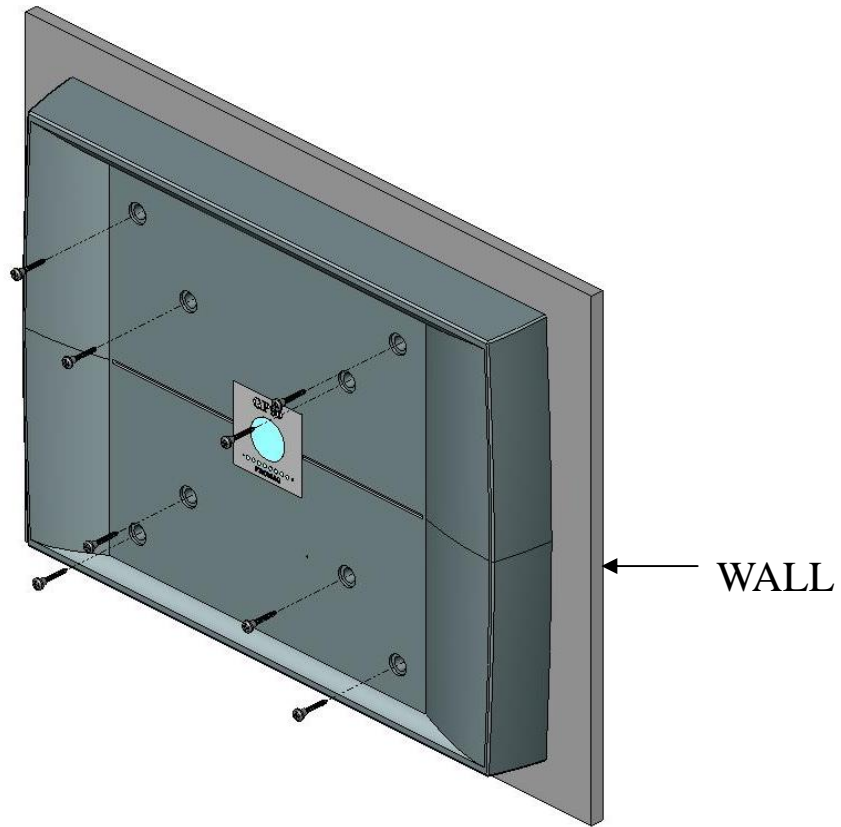
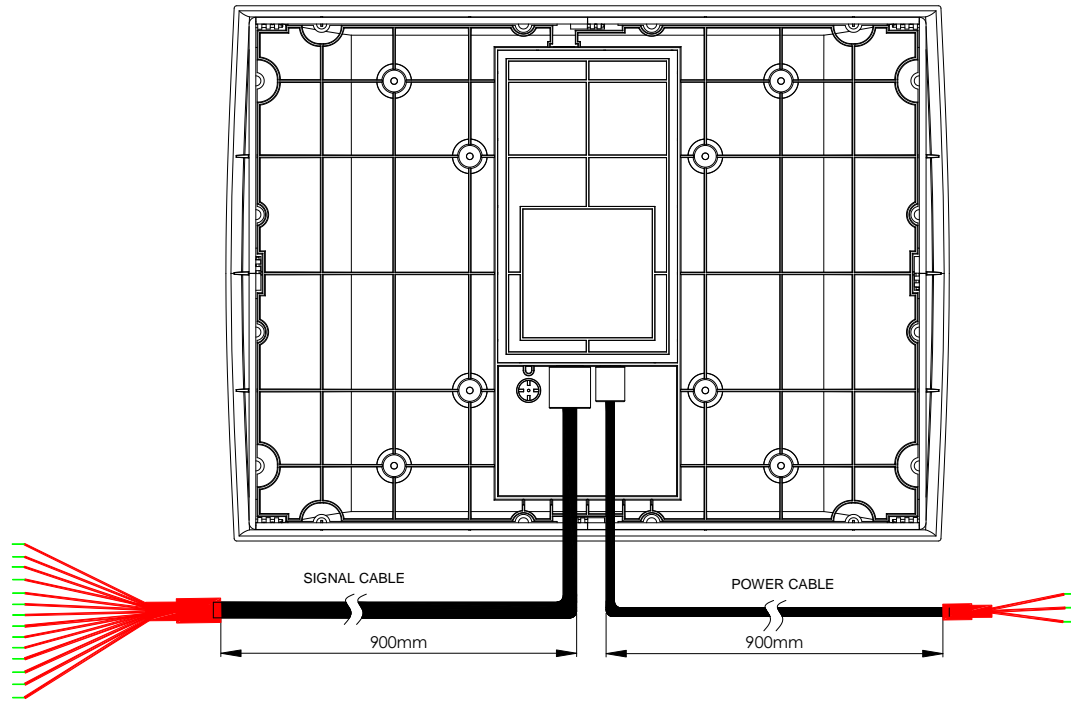


## GP90A INSTALLATION: 1. wall mount , 2.Embedded



## CABLES AND WIRE ASSIGNMENT:



Signal Cable	Magstripe I/F	Wiegand I/F
Green	Data	Data0
White	Clock	Data1
Orange	Card present	<unused>
Dark Blue	RS232, RX	
Brown	RS232, TX	
Light Blue	RS485, +TR	
Light Green	RS485, -TR	
Yellow	I/F selection, (see section 3)	
Pink	I/F selection, (see section 3)	
White with black stripe	Enable firmware download (see section 10)	
Red	Relay, common	
Purple	Relay, normally opened	
Gray	Relay, normally closed	
Black	Ground	

Power Cable	Function
White	+VDC (19.2V)
Black	Ground
Shield	Earth ground

## The GP90A Dimensions

