

Roger Access Control System

OSR80M-BLE Operating Manual

Product version: 1.0

Firmware version: 1.0.8.205 or newer

Document version: Rev.C



1. DESIGN AND APPLICATION

The OSR80M-BLE is an access terminal dedicated to work with an access controller that supports the OSDP v2.2 protocol. Terminal enables identification of users by 13,56 MHz Mifare® Ultralight/Classic/DESFire/PLUS cards and by use of smartphone with NFC or Bluetooth technology. In case of Bluetooth identification the reading range can reach up to 10m meters while other methods offer a few centimeters of reading range. The mobile identification requires Roger Mobile Key application installed on Android or IOS phone. Reader is equipped with two functional keys: Door Bell and Light which can be programmed for other function if necessary. The OSR80M-BLE can be used in the RACS 5 access control and building automation system using the additional MCI-3 interface. Because of its relatively small size, reader can be also used as locker/cabinet reader. OSR80M-BLE can be installed in outdoor locations without any additional protection measures. Terminal is aligned with QUADRUS series product line.

Characteristics

- Access terminal supporting OSDP v2.2
- Read 13,56 MHz Mifare® Ultralight/Classic/Classic/DESFire/PLUS cards
- Mobile identification using smartphone with NFC or Bluetooth
- Door Bell and Light function keys
- 3 LEDs
- Buzzer
- RS485
- Tamper
- Outdoor operation
- Dimensions: 100x45x16 mm
- QUADRUS design line
- CE

Power supply

The terminal requires power supply voltage in range of 11-15VDC. It can be supplied from MCX2D/MCX4D expander of MC16-PAC-KIT, from MC16 access controller (e.g. TML output) or from dedicated power supply unit. The supply wire diameter must be selected in such way that the voltage drop between supply output and the device would be lower than 1V. The proper wire diameter is especially critical when device is located in long distance from the supply source. In such a case the use of dedicated power supply unit located close to the device should be considered. When separate power supply unit is used then its minus should be connected to controller's GND by means of signal wire with any diameter. It is recommended to use UTP cable for connection of device to controller. The table below shows maximal UTP cable lengths in relation to the number of wires used for power supply.

Table 1. Power supply cabling	
Number of UTP wire pairs for power supply	Maximal length of power supply cable
1	150m
2	300m
3	450m
4	600m

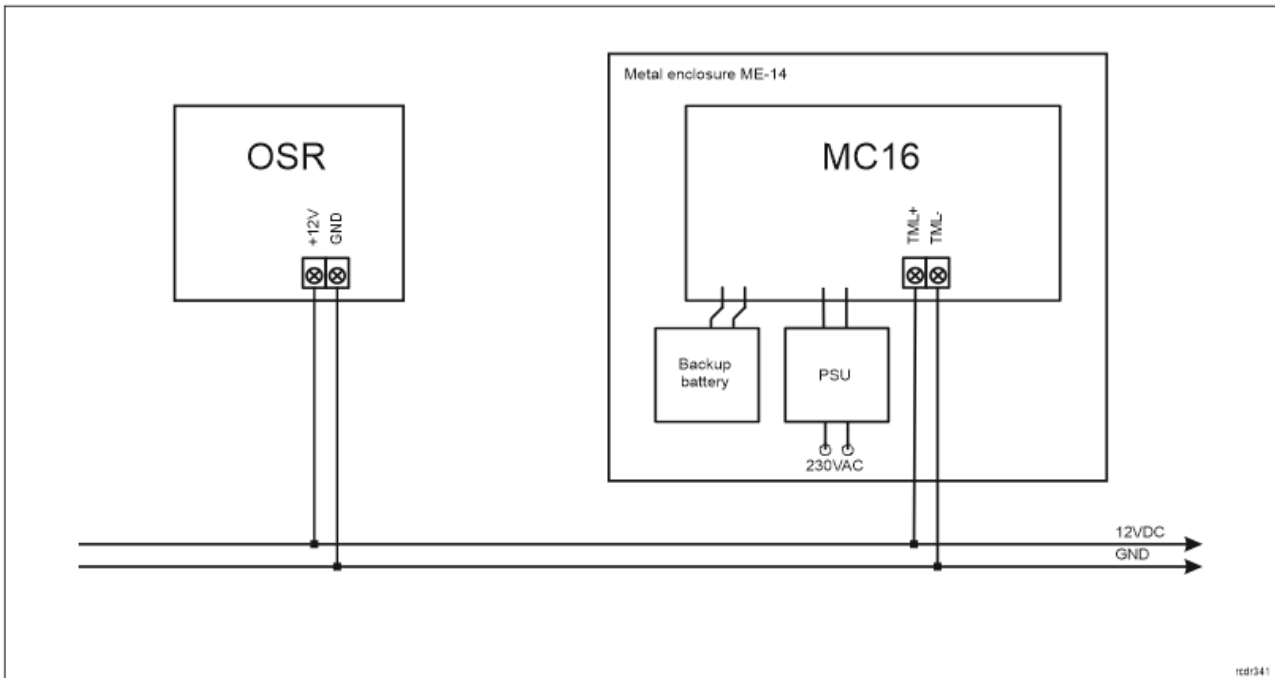


Fig. 1 OSR supply from MC16 access controller

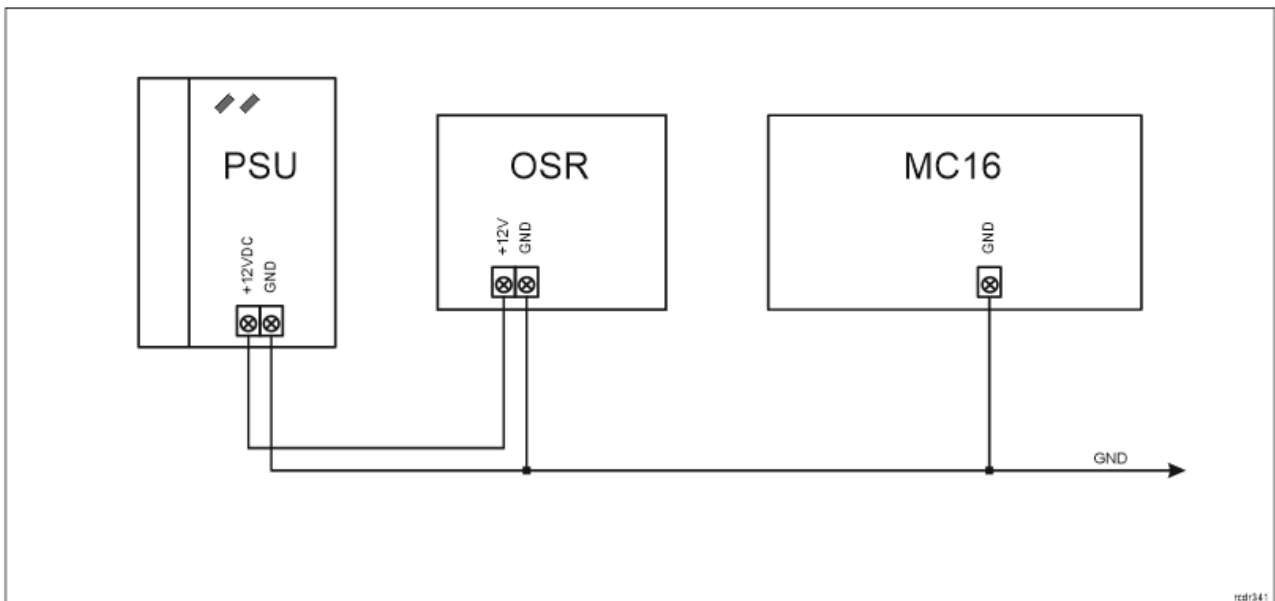




Fig. 2 OSR supply from dedicated power supply unit

OSDP bus

The communication method with access controller is provided via the OSDP protocol on the RS485 bus. The device can be connected directly to access controllers supporting this bus. However, for the MC16 controller, it is additionally necessary to use the MCI-3 interface. The bus topology can be freely arranged as star, tree or any combination of them except for loop. The matching resistors (terminators) connected at the ends of transmitting lines are not required. In most cases communication works with any cable type (standard telephone cable, shielded or unshielded twisted pair etc.) but the recommended cable is unshielded twisted pair (U/UTP cat.5). Shielded cables should be limited to installations subject to strong electromagnetic interferences. The RS485 communication standard used in the RACS 5 system guarantees proper communication in a distance of up to 1200 meters as well as high resistance to interferences.

Note: Do not use more than single pair in UTP cable for RS485 communication bus.

Function keys

The terminal is equipped with two touch function keys  and . Various functions can be assigned to these keys within high level configuration (VISO) e.g. door bell, Set T&A Mode, Register Guard Tour Event, Set Automation Node On, etc. Within low level configuration (RogerVDM) function buttons can be enabled.

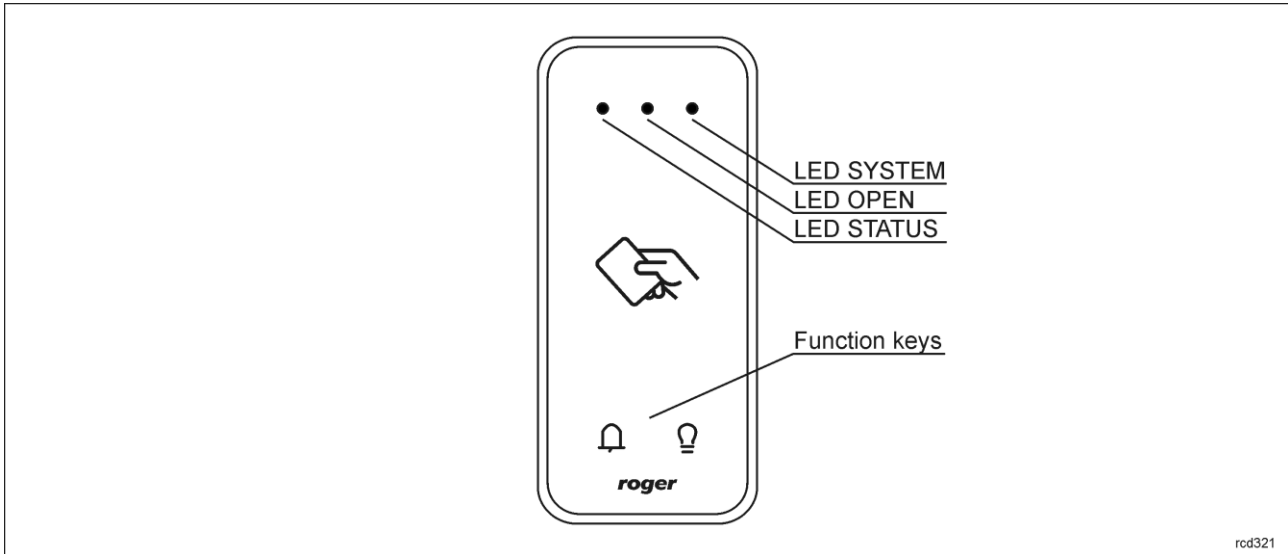


Fig. 3 LED indicators and function keys

LED indicators

The terminal is equipped with three LED indicators which are used to signal integral functions and they can be additionally programmed with other available functions within high level configuration (VISO).

Table 2. LED indicators		
Indicator	Colour	Integral functions
LED STATUS	Red/green	Default indicator colour is red. If the terminal is assigned to Alarm Zone then the LED indicates zone arming (red) or disarming (green).
LED OPEN	Green	LED indicates access granting.
LED SYSTEM	Orange	LED indicates card reading and can signal other system functions including device malfunction.

Note: Synchronic pulsing of LED indicators signifies lost communication with MC16 controller or MCI-3 interface.

Buzzer

The terminal is equipped with buzzer which is used to signal integral functions and it can be additionally programmed with other available functions within high level configuration (VISO).

Note: LED indicators and Speaker in high-level configuration (VISO) can only be controlled as on/off. Unlike MCT readers, flashing or cyclic activation is not supported.

Tamper detector

Built-in tamper (sabotage) detector enables detection of unauthorized opening of device's enclosure as well as detachment of the enclosure from wall. The detector is internally connected to the terminal's input. It does not require low level configuration (RogerVDM) or any additional installation arrangements but it is essential to mount front panel in such way as the tamper detector (fig. 5) would firmly press the back panel.

The detector requires high level configuration which consists in assignment of the function [133] *Tamper Toggle* on the level of a *Main Board* of a controller in VISO software navigation tree.

Identification

Following user identification methods are offered by the terminal:

- MIFARE Ultralight/Classic/Plus/DESFire proximity cards.
- Mobile devices (NFC and BLE)

MIFARE cards

By default the terminal reads serial numbers (CSN) of MIFARE cards but it is possible to program cards with own numbers (PCN) in selected and encrypted sectors of card memory. The use of PCN prevents card cloning and consequently it significantly increases security in the system. More information on MIFARE card programming is given in AN024 application note which is available at www.roger.pl.

The technical characteristics of the device are guaranteed for RFID cards supplied by Roger. Cards from other sources may be used, but they are not covered by the manufactures warranty. Before deciding to use specific Roger products with third-party contactless cards, it is recommended to conduct tests that will confirm satisfactory operation with the specific Roger device and software in which it operates.

Mobile devices (NFC and BLE)

The terminal OSR80M-BLE enables user identification with mobile device (Android, iOS) using NFC or Bluetooth (BLE) communication. Prior to use of BLE/NFC identification on the terminal, within its low level configuration (see section 4) configure own *NFC/BLE authentication factor encryption key* and *NFC/BLE communication encryption key* while in case of Bluetooth additionally verify if the parameter *BLE activated* is enabled. Install Roger Mobile Key (RMK) app on mobile device and configure the same parameters as in the terminal. Create key (authentication factor) in RMK defining its type and number, then create the same authentication factor in VISO software (fig. 4) and assign it to the user with adequate Authorisation(s) at the terminal. When user wants to identify at the terminal using mobile device then key (authentication factor) can be selected from the screen or with gesture.

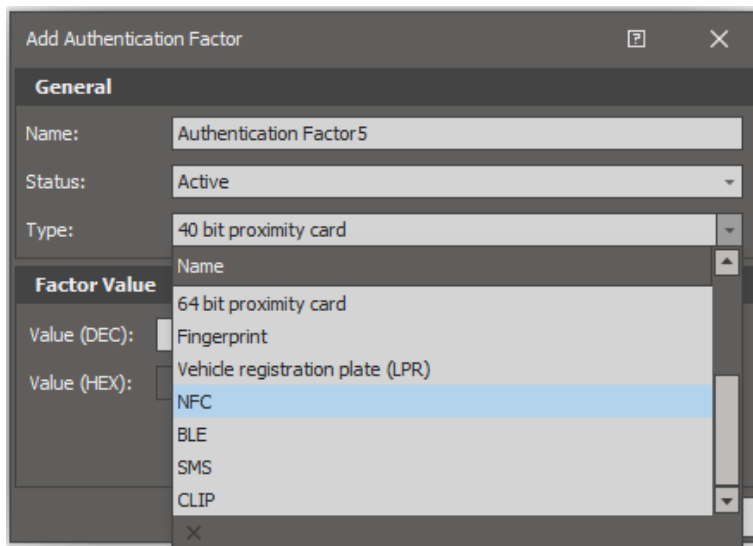


Fig. 4 Authentication factor type in VISO software

2. INSTALLATION

Name	Wire colour	Description
12V	Red	12VDC power supply
GND	Black	Ground

A	Yellow	OSDP interface, line A
B	Green	OSDP interface, line B

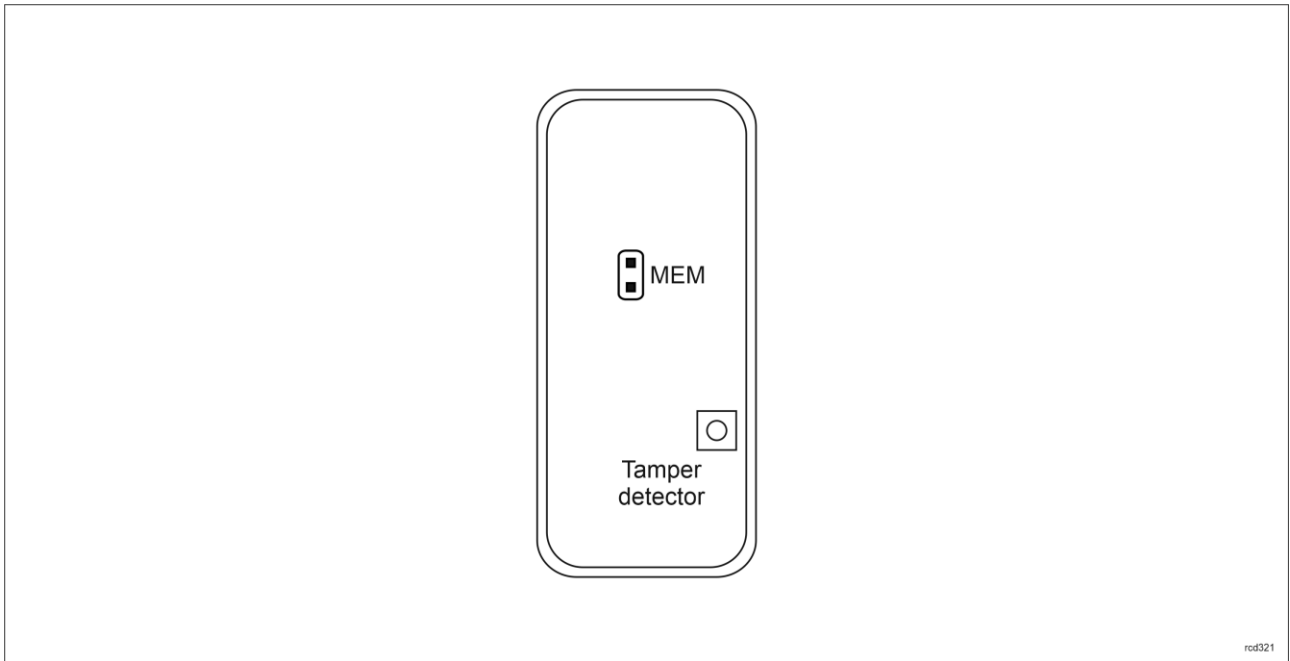


Fig. 5 Programming jumpers

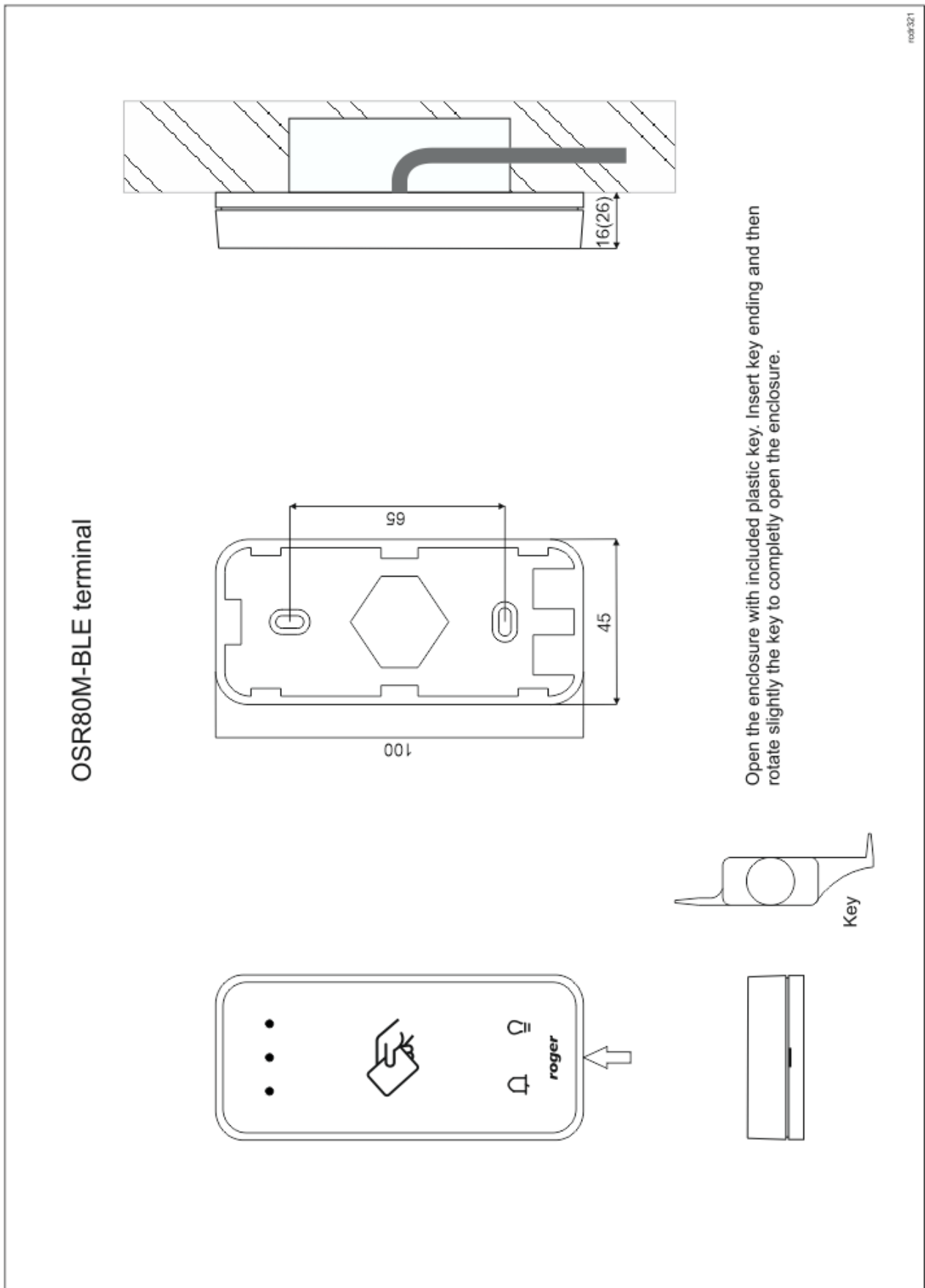


Fig. 6 OSR80M-BLE installation

Note: OSR80M-BLE enclosure consists of front panel and back panel. New device is assembled with a standard back panel, but additional free of charge, extended back panel is included. This panel can be used when connection cable has to be hidden and no flush mounting box is available.

Installation guidelines

- The terminal should be mounted on a vertical structure (wall) away from sources of heat and moisture.
- Front panel should be attached in such way as the tamper detector (fig. 5) would firmly press the back panel.
- All electrical connections should be done with disconnected power supply.
- If the terminal and controller are not supplied from the same PSU then GND terminals of both devices must be connected with any wire.
- Device can be cleaned by means of wet cloth and mild detergent without abrasive components. In particular do not clean with alcohols, solvents, petrol, disinfectants, acids, rust removers, etc. Damages resulting from improper maintenance and usage are not covered by manufacturer warranty.
- If the device is installed in a place exposed to conductive dust (e.g. metal dust), the MEM pins should be protected with plastic mass, e.g. silicone, after installation.

3. OPERATION SCENARIOS

Connection via MCI-3 interface

The terminal when connected to MC16 access controller via the MCI-3 interface, can be at the same time used for access control, Time&Attendance and to control external devices with function keys. The example of connection diagram for such scenario is shown in fig. 7 where the terminal is connected via the MCI-3 interface to the MC16 controller. The terminal with MCI-3 interface can also operate with MC16 controller using MCX2D/MCX4D expanders as in case of M16-PAC-x-KIT series.

In order to support OSDP terminals, it is necessary to run the automatic terminal detection procedure via the MCI interface. The OSDP terminal detection procedure is described in a separate manual for the MCI-3 interface.

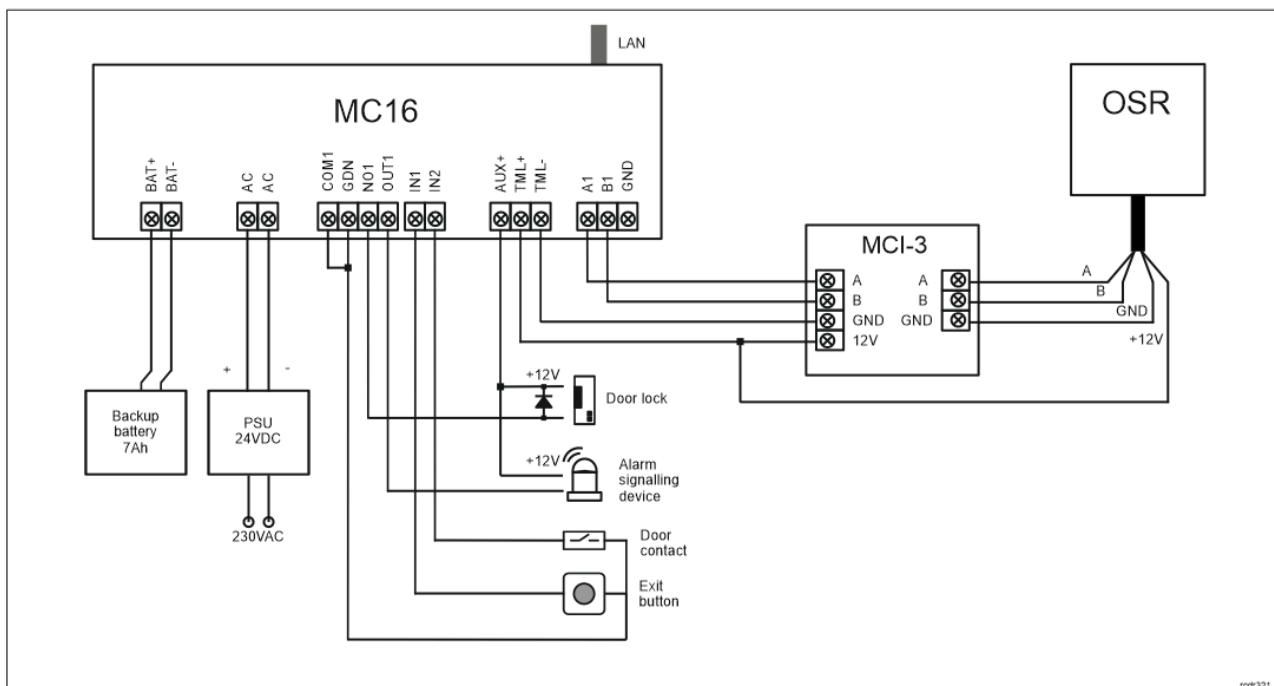


Fig. 7 Typical connection diagram for the terminal and MC16 access controller via the MCI-3 interface.

Direct connection to the OSDP controller

It is possible to make a direct connection of the OSR reader directly to the OSDP controller. An exemplary connection diagram is shown below.

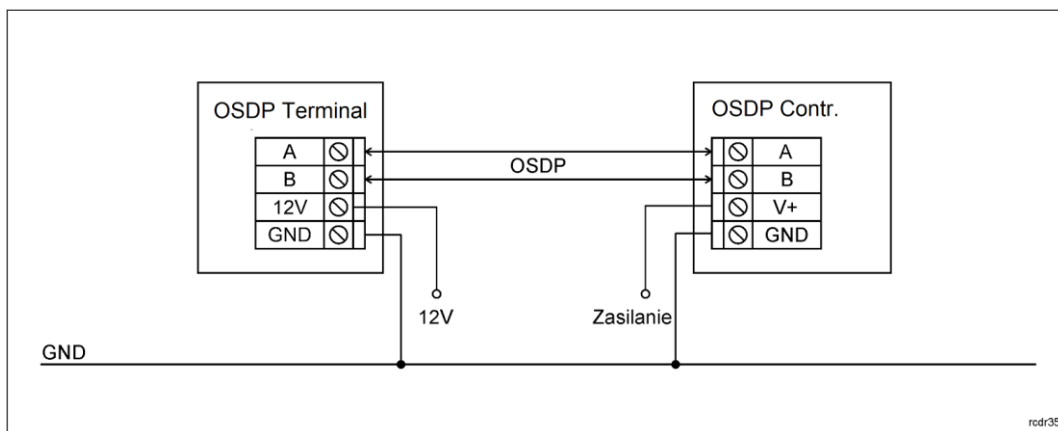


Fig. 8 Connecting the OSR reader directly to the OSDP controller

4. CONFIGURATION

The purpose of low level configuration is to prepare device for operation in RACS 5 system. In case of RACS 5 v1 or RACS5 v2 system the address of device must be configured by means of RogerVDM software or by manual addressing before connection to MC16 controller.

Low level configuration (RogerVDM)

Programming procedure with RogerVDM software:

1. Connect the device to RUD-1 interface (fig. 9) and connect the RUD-1 to computer's USB port.
2. Remove jumper from MEM contacts (fig. 5) if it is placed there.
3. Restart the device (switch power supply off and on) and orange LED SYSTEM will pulsate. Then within 5 seconds place jumper on MEM contacts.
4. Start RogerVDM program, select OSR device, v1.0 firmware version, RS485 communication channel and serial port with RUD-1 interface.
5. Click *Connect*, the program will establish connection and will automatically display *Configuration* tab.
6. Enter unoccupied OSDP address in range of 0-126 and other settings according to requirements of specific installation.
7. Click *Send to Device* to update the configuration of device.
8. Optionally make a backup by clicking *Send to File...* and saving settings to file on disk.
9. Disconnect from RUD-1 interface and leave jumper on MEM contacts.

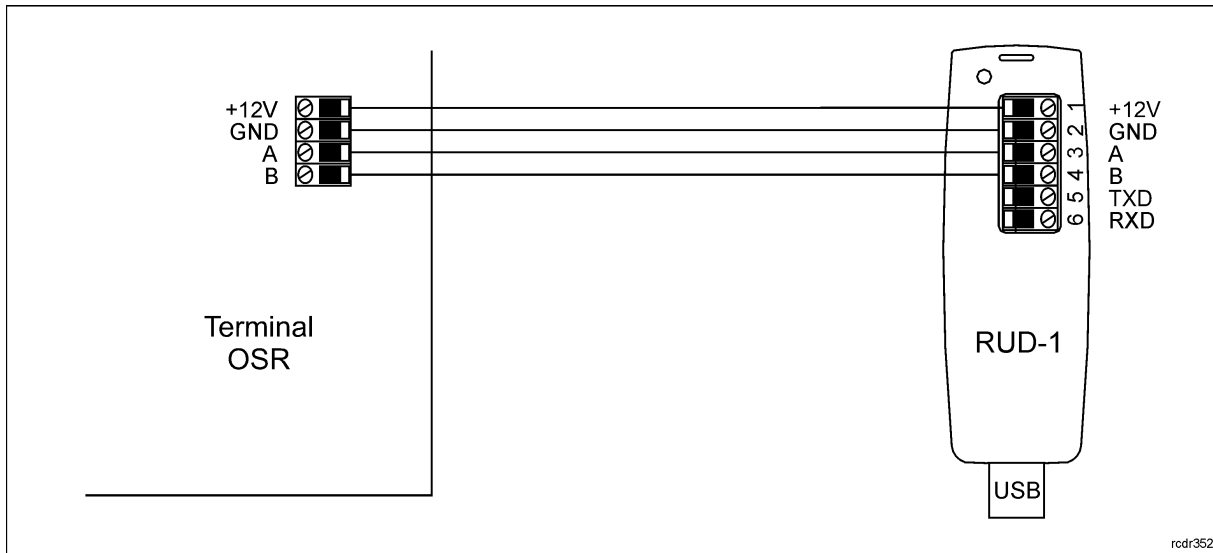


Fig. 9 Connection to RUD-1 interface.

Note: Do not read any cards when the device is configured with RogerVDM.

Table 4. List of low level parameters	
Communication settings	
OSDP address	Parameter defines device address on OSDP bus. Range: 0-126. Default value: 0.
Factor conversion	Parameter defines method of converting the read factor. Value range: [0]: RS485 (EPSO3), [1]: Media only. Default value: [0]: RS485 (EPSO3)
LED control	Parameter defines method of controlling the terminal's LED indicators. Range of values: [0]: 4 monochrome indicators [1]: RGB tricolor indicator. Default value: [0]: 4 monochrome indicators
Communication encryption	Parameter defines the encryption conditions for communication between the controller (CP) and the reader (PD). Encryption can be unconditional at all times or managed by a controller. Range of values: [0]: Controller initiated, [1]: Constant. Default value: [0]: Controller initiated.
OSDP password	Password for encrypting communication on the OSDP bus. Value range: 4-16 ASCII characters.
Mobile authentication	
NFC/BLE authentication factor encryption key	Parameter defines key for encryption of NFC/BLE communication. Range: 4-16 ASCII characters.
NFC/BLE communication encryption key	Parameter defines key for encryption of NFC/BLE communication. Range: 4-16 ASCII characters.
BLE authentication factor class	Parameter defines acceptable type of keys (authentication factors) created in Roger Mobile Key app for Bluetooth (BLE) communication. UCE means lower security and quicker identification while REK means higher security and slower identification. It is necessary to apply classes in RMK which are acceptable for terminal. Range: [1]: REK, [2]: UCE, [3]: UCE + REK. Default value: [3]: UCE + REK.
NFC authentication factor class	Parameter defines acceptable type of keys (authentication factors) created in Roger Mobile Key app for NFC communication. UCE means

	lower security and quicker identification while REK means higher security and slower identification. It is necessary to apply classes in RMK which are acceptable for terminal. Range: [1]: REK, [2]: UCE, [3]: UCE + REK. Default value: [2]: UCE.
Optical signalisation	
RS485 communication timeout [s]	Parameter defines the delay after which the device will start signaling lack of communication with the controller on the LED indicators. Value 0 disables signaling. Value range: 0-64 seconds. Default value 20.
LED SYSTEM pulsing when card near reader	Parameter enables LED SYSTEM (orange) pulsing when card is close to the device. Range: [0]: No, [1]: Yes. Default value: [0]: No.
Backlight level [%]	Parameter defines backlight level. When set to 0 then backlight is disabled. Range: 0-100. Default value: 100.
Backlight switching off when no activity	Parameter enables temporary backlight dimming whenever card is read or key is pressed. Range: [0]: No, [1]: Yes. Default value: [0]: No.
LED SYSTEM flash after card read	Parameter enables short flash of LED SYSTEM (orange) when card is read. Range: [0]: No, [1]: Yes. Default value: [1]: Yes.
LED SYSTEM flash after key press	Parameter enables short flash of LED SYSTEM (orange) when key is pressed. Range: [0]: No, [1]: Yes. Default value: [1]: Yes.
Acoustic signalisation	
Buzzer loudness level [%]	Parameter defines buzzer loudness level. When set to 0 then buzzer is disabled Range: 0-100. Default value: 100.
Short sound after card read	Parameter enables short sound (beep) generating by buzzer when card is read. Range: [0]: No, [1]: Yes. Default value: [1]: Yes.
Short sound after key press	Parameter enables short sound (beep) generating by buzzer when key is pressed. Range: [0]: No, [1]: Yes. Default value: [1]: Yes.
Keypad settings	
Keypad activated	Parameter enables deactivation of keypad. Range: [0]: No, [1]: Yes. Default value: [1]: Yes.
Advanced settings	
Card/PIN buffer timeout [s]	Parameter defines the time of keeping the card number or PIN code in the reader's buffer. After exceeding this time, the identifier will be deleted even though it has not been sent to the controller. Range: 1-64. Default value: 10.
BLE activated	Parameter enables deactivation of Bluetooth transmission. Range: [0]: No, [1]: Yes. Default value: [1]: Yes.
BLE session timeout [s]	Parameter defines maximal time for establishing connection between mobile device and terminal in Bluetooth technology. When timeout elapses the session is interrupted by terminal so mobile device could attempt to establish connection again. When set to 0 then timeout is disabled. Range: 0-10. Default value: 5.
BLE broadcasting power [dBm]	Parameter defines power of broadcasting radio signal for Bluetooth communication. Range: [1]: -18, [2]: -12, [3]: -6, [4]: -3, [5]: -2, [6]: -1, [7]: 0. Default value: [1]: -18.
BLE transmission power [dBm]	Parameter defines power of transmission radio signal for Bluetooth communication. Range: [0]: Auto; [1]: -18, [2]: -12, [3]: -6, [4]: -3, [5]: -2, [6]: -1, [7]: 0. Default value: [0]: Auto.
Serial card number (CSN) settings	
Serial number length (CSNL) [B]	Parameter defines the number of bytes from serial card number (CSN)

	which will be used to generate returned card number (RCN). RCN is the actual card number read by reader and it is created as sum of serial card number (CSN) and programmable card number (PCN). Default value: 8.
Programmable card number (PCN) settings for Mifare Ultralight	
Sector type	Parameter defines sector type with programmable number (PCN). If the option [0]:None is selected then card returned number (RCN) will include only CSN and PCN will be discarded. Range: [0]: None, [1]: SSN. Default value: [0]: None.
SSN first page number	Parameter defines location of SSN in card memory. Range: 4-12. Default value: 4.
Programmable card number (PCN) settings for Mifare Classic	
Sector type	Parameter defines sector type with programmable number (PCN). If the option [0]:None is selected then card returned number (RCN) will include only CSN and PCN will be discarded. Range: [0]: None, [1]: SSN, [2]: MAD. Default value: [0]: None.
Format	Parameter defines format of PCN. Range: [0]: BIN, [1]: ASCII HEX. Default value: [0]: BIN.
First byte position (FBP)	Parameter defines the position of the first byte for PCN in data block on card. Range: 0-15. Default value: 0.
Last byte position (LBP)	Parameter defines the position of the last byte for PCN in data block on card. Range: 0-15. Default value: 7.
Sector ID	Parameter defines sector number where PCN is stored. Range: 0-39. Default value: 1.
Application ID (AID)	Parameter defines application ID number (AID) which indicates sector where PCN number is stored. Range: 0-9999. Default value: 5156.
Block ID	Parameter defines block number where PCN is stored. Range: 0-2 for sectors 0-31 and 0-14 for sectors 32-39. Default value: 0.
Key type	Parameter defines key type used to access sector with PCN. Range: [0]: A, [1]: B, [2]: Roger. Default value: [0]: A.
Key	Parameter defines 6 bytes (12 HEX digits) key for accessing sector where PCN is stored.
Programmable card number (PCN) settings for Mifare Plus	
Sector type	Parameter defines sector type with programmable number (PCN). If the option [0]:None is selected then card returned number (RCN) will include only CSN and PCN will be discarded. Range: [0]: None, [1]: SSN, [2]: MAD. Default value: [0]: None.
Format	Parameter defines format of PCN. Range: [0]: BIN, [1]: ASCII HEX. Default value: [0]: BIN.
First byte position (FBP)	Parameter defines the position of the first byte for PCN in data block on card. Range: 0-15. Default value: 0.
Last byte position (LBP)	Parameter defines the position of the last byte for PCN in data block on card. Range: 0-15. Default value: 7.
Sector ID	Parameter defines sector number where PCN is stored. Range: 0-39. Default value: 1.
Application ID (AID)	Parameter defines application ID number (AID) which indicates sector where PCN number is stored. Range: 0-9999. Default value: 5156.
Block ID	Parameter defines block number where PCN is stored. Range: 0-2 to

	for sectors 0-31 and 0-14 for sectors 32-39. Default value: 0.
Key type	Parameter defines key type used to access sector with PCN. Range: [0]: A, [1]: B. Default value: [0]: A.
Programmable card number (PCN) settings for Mifare Desfire	
Sector type	Parameter defines sector type with programmable number (PCN). If the option [0]:None is selected then card returned number (RCN) will include only CSN and PCN will be discarded. Range: [0]: None, [1]: Desfire file. Default value: [0]: None.
Format	Parameter defines format of PCN. Range: [0]: BIN, [1]: ASCII HEX. Default value: [0]: BIN.
First byte position (FBP)	Parameter defines the position of the first byte for PCN in data block on card. Range: 0-15. Default value: 0.
Last byte position (LBP)	Parameter defines the position of the last byte for PCN in data block on card. Range: 0-15. Default value: 7.
Application ID (AID)	Parameter defines application ID number (AID) which indicates sector where PCN number is stored. Range: 0-9999. Default value: F51560.
File ID (FID)	Parameter defines file identifier in AID. Range: 0-32 for Desfire EV1 and 0-16 for Desfire EV0. Default value: 0.
Communication protection level	Parameter defines encryption method for communication between card and reader. Range: [0]: Plain, [1]: Data authentication by MAC, [2]: Full encryption. Default value: [0]: Plain.
Key number	Parameter defines application key number used for file read. Range: 0-13. Default value: 0.
Key type	Parameter defines encryption key type for Desfire file. Range: [0]: TDES Native, [1]: TDES Standard, [2]: 3-KTDES, [3]: AES128. Default value: [0]: TDES Native.
Key	Parameter defines access key for Desfire file with PCN. 3-KTDES key is 24 bytes (48 HEX digits), TDES and AES keys are 16 bytes (32 HEX digits).

Manual addressing

Manual addressing procedure enables configuration of new RS485 address with all other settings unchanged.

Manual addressing procedure:

1. Remove all connections from A and B lines.
2. Remove jumper from MEM contacts (fig. 5) if it is placed there.
3. Restart the device (switch power supply off and on) and orange LED SYSTEM will pulsate. Then within 5 seconds place jumper on MEM contacts.
4. Enter 3 digits of OSDP address in range of 0-126 with any MIFARE card.
5. Leave jumper on MEM contacts.
6. Restart the device.

Readers without keypad can be addressed with multiple card readings where the N number of readings emulates digit of the address. Three series of readings with any MIFARE proximity card are necessary to set the address. After each series wait for two beeps and proceed with the next digit. Zero digit is emulated with 10 readings.

Example:

Programming of ID=101 address with card readings:

1. Read card 1 time and wait for two beeps.

2. Read card 10 times and wait for two beeps.
3. Read card 1 time and wait for two beeps.
4. Wait till reader is restarted with the new address.

Memory reset

Memory reset procedure resets all settings to factory default ones including ID=0 address.

Memory reset procedure:

1. Remove all connections from A and B lines.
2. Remove jumper from MEM contacts (fig. 5) if it is placed there.
3. Restart the device (switch power supply off and on) and orange LED SYSTEM will pulsate. Then within 5 seconds place jumper on MEM contacts.
4. Read any MIFARE card 11 times.
5. Wait till device confirms reset with long acoustic signal.
6. Leave jumper on MEM contacts.
7. Restart the device.

High level configuration (VISO)

The purpose of high level configuration is to define logical functioning of the terminal which communicates with the MC16 access controller and it depends on applied scenario of operation. The example of access control system configuration is given in AN006 application note which is available at www.roger.pl.

5. FIRMWARE UPDATE

The firmware of device can be changed to newer or older version. The update requires connection to computer with RUD-1 interface and starting RogerVDM software. The latest firmware file is available at www.roger.pl.

Note: Backup configuration with RogerVDM software before firmware update because the update will restore factory default settings.

Note: If MCI-3 interface is connected to the terminal, it must be disconnected during firmware update.

Firmware update procedure:

1. Connect the device to RUD-1 interface (fig. 9) and connect the RUD-1 to computer's USB port.
2. Place jumper on MEM contacts (fig. 5).
3. Restart the device (switch power supply off and on).
4. Start RogerVDM program and in the top menu select *Tools* and then *Update firmware*.
5. In the opened window select device type, serial port with RUD-1 interface and path to firmware file (*.frg).
6. Click *Update* to start firmware upload with progress bar in the bottom.
7. When the update is finished, disconnect from RUD-1 interface and remove jumper from MEM contacts. Additionally it is recommended to start memory reset procedure.

6. SPECIFICATION

Table 5. Specification	
Supply voltage	Nominal 12VDC, min./max. range 10-15VDC
Current consumption (average)	~70 mA
Tamper protection	Enclosure opening reported to access controller
Identification methods	13.56MHz MIFARE Ultralight, Classic, Plus and Desfire proximity cards Mobile devices (Android, iOS) with NFC Mobile devices (Android, iOS) with BLE (Bluetooth Low Energy) v4.1
Reading range	Up to 7 cm for MIFARE cards and NFC Up to 10 m for BLE – depends on ambient conditions and particular mobile

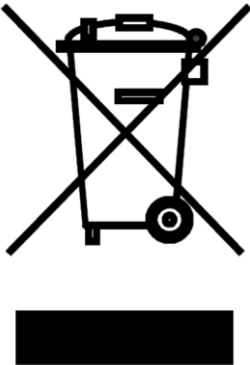
	device. Terminal's radio power can be increased within low level configuration.
Distance	1200 m maximal cable length for RS485 bus between controller and terminal
IP Code	IP65
Environmental class (according to EN 50133-1)	Class IV, outdoor general conditions, temperature: -25°C to +60°C, relative humidity: 10 to 95% (no condensation)
Dimensions H x W x D	100 x 45 x 16(26) mm
Weight	~100g
Certificates	CE

7. ORDERING INFORMATION

Table 6. Ordering information	
OSR80M-BLE	Outdoor MIFARE DESFire/Plus/NFC/Bluetooth access terminal; OSDP v2.2; 2 function keys
MCI-3	The interface enables the connection of a reader that uses OSDP protocol to the MC16 series access controller (RACS 5 system).
RUD-1	Portable USB-RS485 communication interface dedicated to ROGER access control devices

8. PRODUCT HISTORY

Table 7. Product history		
Version	Date	Description
OSR80M-BLE v1.0	03/2022	The first commercial version of product

	<p>This symbol placed on a product or packaging indicates that the product should not be disposed of with other wastes as this may have a negative impact on the environment and health. The user is obliged to deliver equipment to the designated collection points of electric and electronic waste. For detailed information on recycling, contact your local authorities, waste disposal company or point of purchase. Separate collection and recycling of this type of waste contributes to the protection of the natural resources and is safe to health and the environment. Weight of the equipment is specified in the document.</p>
---	---

Contact:
Roger sp. z o.o. sp.k.
82-400 Sztum
Gościszewo 59
Tel.: +48 55 272 0132
Fax: +48 55 272 0133
Tech. support: +48 55 267 0126
E-mail: support@roger.pl
Web: www.roger.pl