

*Roger Access Control System*

## MCT80M-BLE Reader

Operating Manual

*Hardware version: v1.0*

*Firmware version: 1.0.6.193*

Document version: Rev. J



## 1. DESIGN AND APPLICATION

The MCT80M-BLE is an access terminal dedicated to RACS 5 system. The device enables identification of users by 13.56 MHz Mifare® Ultralight/Classic/DESFire (EV1, EV2, EV3)/PLUS proximity cards and by mobile devices equipped with NFC (Near Field Communication) or BLE (Bluetooth Low Energy) technology.

MCT80M-BLE is connected to access controller through RS485 interface. Terminal can be installed in outdoor locations without any additional protection measures. Due to its relatively small size, the device can be also used as a locker/cabinet reader.

### Characteristics

- RACS 5 system access terminal
- 13.56 MHz Mifare® Ultralight/Classic/DESFire (EV1, EV2, EV3)/Plus proximity cards
- NFC and BLE mobile device identification
- 3 LED indicators
- Buzzer
- 2 function keys
- RS485 interface
- Tamper protection
- Outdoor environment
- Connection cable

### Power supply

The terminal requires power supply voltage in range of 11-15VDC. It can be supplied from MCX2D/MCX4D expander of MC16-PAC-KIT, from MC16 access controller (e.g. TML output) or from dedicated power supply unit. The supply wire diameter must be selected in such way that the voltage drop between supply output and the device would be lower than 1V. The proper wire diameter is especially critical when device is located in long distance from the supply source. In such a case the use of dedicated power supply unit located close to the device should be considered. When separate power supply unit is used then its minus should be connected to controller's GND by means of signal wire with any diameter. It is recommended to use UTP cable for connection of device to controller. The table below shows maximal UTP cable lengths in relation to the number of wires used for power supply.

Number of UTP wire pairs for power supply	Maximal length of power supply cable
1	150m
2	300m
3	450m
4	600m

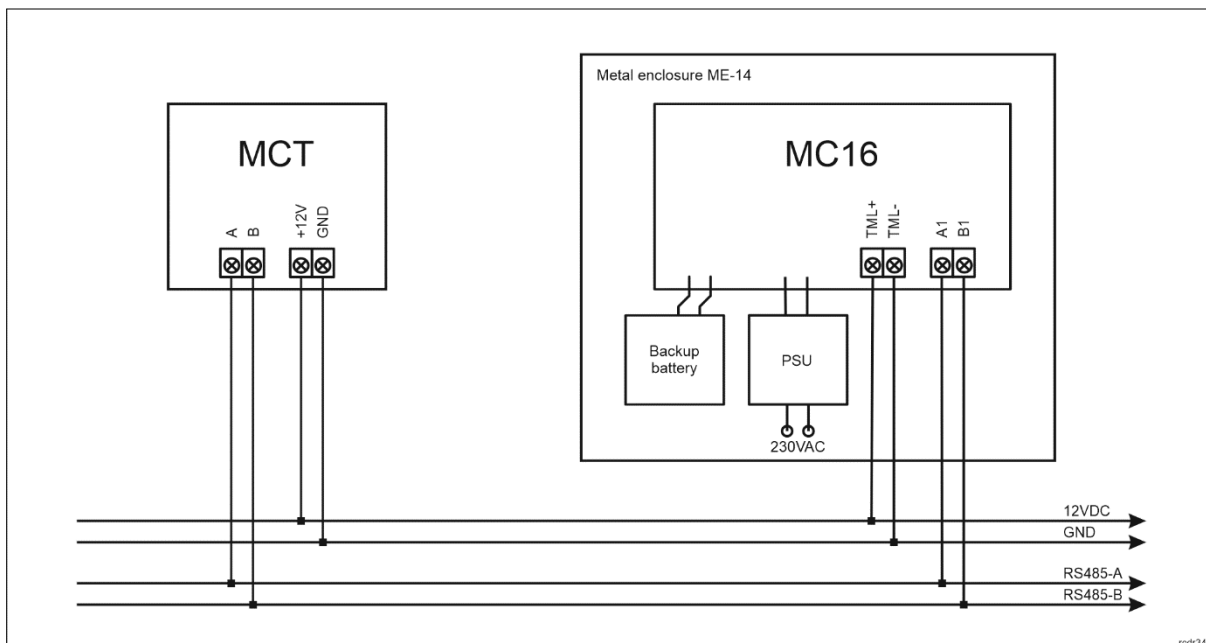


Fig. 1 MCT terminal supply from MC16 access controller

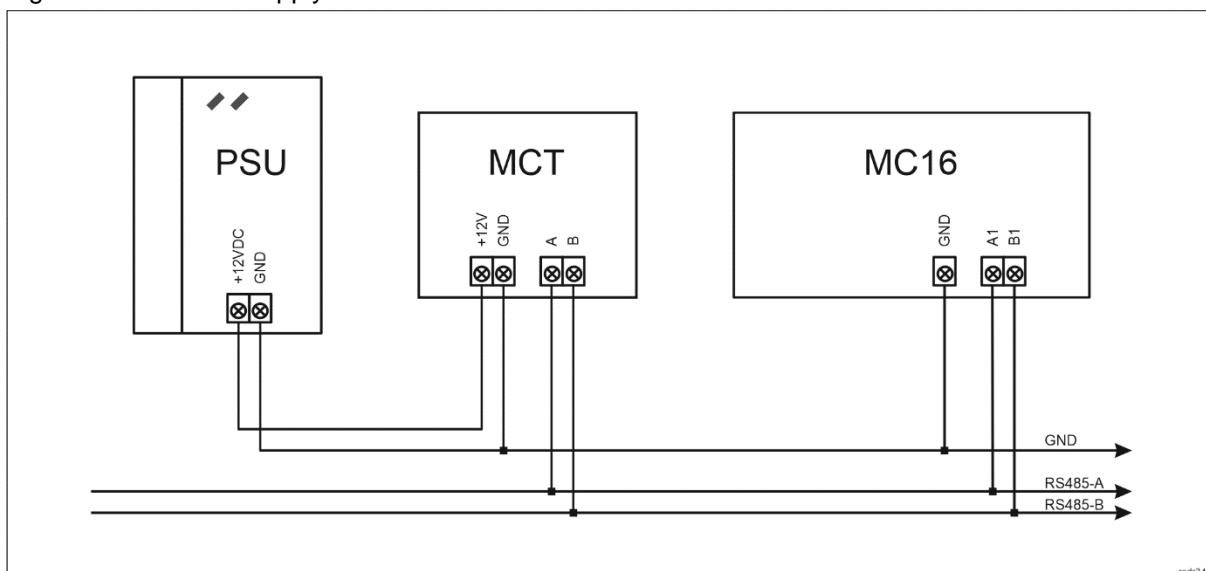


Fig. 2 MCT terminal supply from dedicated power supply unit

### RS485 bus

The communication method with MC16 access controller is provided with RS485 bus which can encompass up to 16 devices of RACS 5 system, each with unique address in range of 100-115. The bus topology can be freely arranged as star, tree or any combination of them except for loop. The matching resistors (terminators) connected at the ends of transmitting lines are not required. In most cases communication works with any cable type (standard telephone cable, shielded or unshielded twisted pair etc.) but the recommended cable is unshielded twisted pair (UTP cat.5). Shielded cables should be limited to installations subject to strong electric interferences. The RS485 communication standard used in the RACS 5 system guarantees proper communication in a distance of up to 1200 meters as well as high resistance to interferences.

---

Note: Do not use more than single pair of UTP cable for RS485 communication bus.

---

## Function keys

The terminal is equipped with two sensor type function keys. Various functions can be assigned to these keys within high level configuration (VISO) e.g. Doorbell, Set T&A Mode, Register Guard Tour Event, Set Automation Node On, etc. Within low level configuration (VISO v2 or RogerVDM) of the terminal it is possible to configure if the terminal distinguishes short and long key pressings. Consequently each type of key press can be assigned with different function.

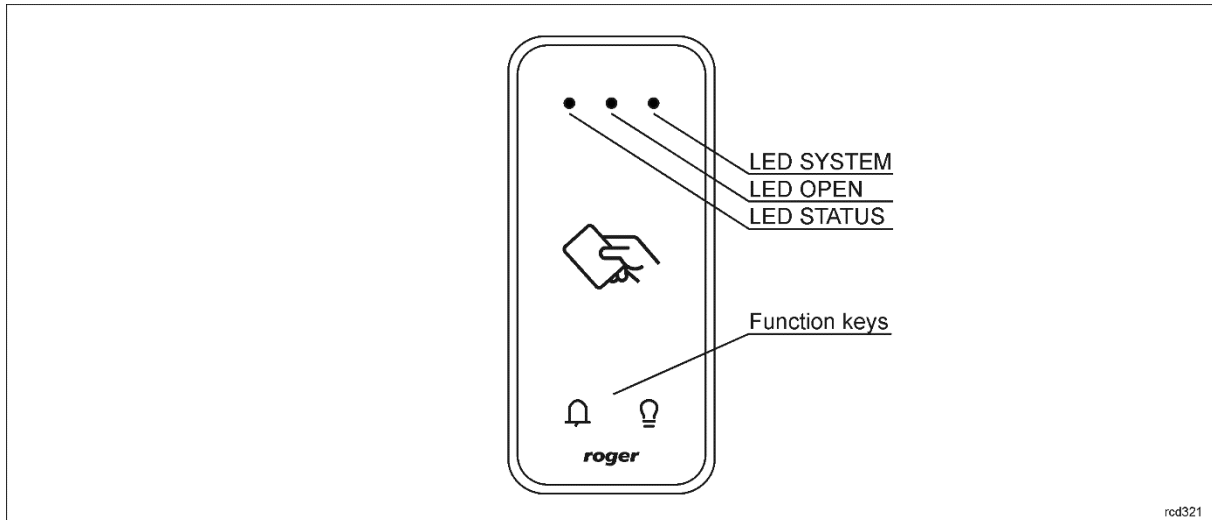


Fig. 3 LED indicators and function keys

## LED indicators

The terminal is equipped with three LED indicators which are used to signal integral functions and they can be additionally programmed with other available functions within high level configuration (VISO).

Table 2. LED indicators		
Indicator	Colour	Integral functions
LED STATUS	Red/green	Default indicator colour is red. If the terminal is assigned to Alarm Zone, then the LED indicates zone arming (red) or disarming (green).
LED OPEN	Green	LED indicates access granting.
LED SYSTEM	Orange	LED indicates card reading and can signal other system functions including device malfunction.

Note: Synchronic pulsing of all LED indicators indicates loss of communication with controller.

## Buzzer

The terminal is equipped with a buzzer which is used to signal integral functions and it can be additionally programmed with other available functions within high level configuration (VISO).

## Tamper detector

Built-in tamper (sabotage) detector enables detection of unauthorized opening of device's enclosure. The detector is internally connected to the terminal's input. It does not require low level configuration (RogerVDM) or any additional installation arrangements, but it is essential to mount the front panel in such a way as the tamper detector (fig. 5) would firmly press the back panel. The detector requires high level configuration which consists in assignment of the function [133] *Tamper Toggle* on the level of a *Main Board* of a controller in VISO software navigation tree.

## Identification

Following user identification methods are offered by the terminal:

- Mifare® Ultralight/Classic/Plus/DESFire (EV1, EV2, EV3) proximity cards.
- Mobile devices (NFC and BLE)

### MIFARE cards

By default, the terminal reads serial numbers (CSN) of MIFARE cards, but it is possible to program cards with own numbers (PCN) in selected and encrypted sectors of card memory. The use of PCN prevents card cloning and consequently it significantly increases security in the system. More information on MIFARE card programming is given in AN024 application note which is available at [www.roger.pl](http://www.roger.pl).

---

Note: The technical characteristics of the device are guaranteed for RFID cards supplied by Roger. Cards from other sources may be used, but they are not covered by the manufacturer's warranty. Before deciding to use specific Roger products with third-party contactless cards, it is recommended to conduct tests that will confirm satisfactory operation with the specific Roger device and software in which it operates.

---

### Mobile devices (NFC and BLE)

The terminal MCT80M-BLE enables user identification with mobile device using NFC (Android, iOS) or Bluetooth (Android) communication. Prior to use of BLE/NFC identification on the terminal, within its low level configuration (see section 4) configure own *NFC/BLE authentication factor encryption key* and *NFC/BLE communication encryption key* while in case of Bluetooth additionally verify if the parameter *BLE activated* is enabled. Install Roger Mobile Key (RMK) app on mobile device and configure the same parameters as in the terminal. Create key (authentication factor) in RMK defining its type and number, then create the same authentication factor in VISO software (fig. 4) and assign it to the user with adequate Authorisation(s) at the terminal. When user wants to identify at the terminal using mobile device then key (authentication factor) can be selected from the screen or with gesture.

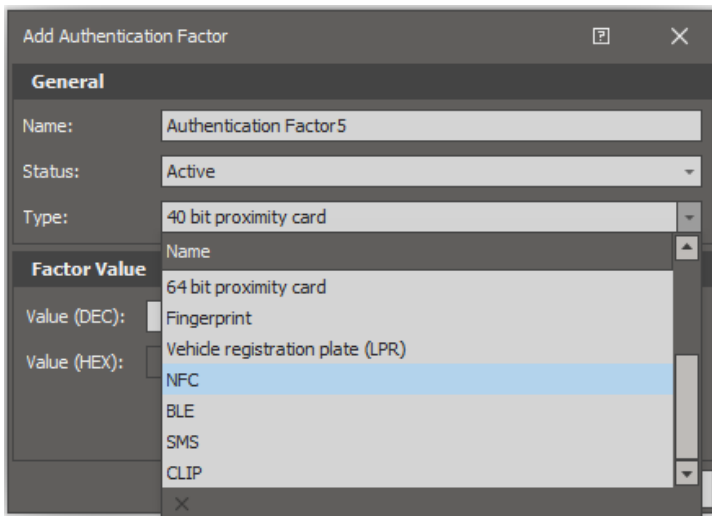


Fig. 4 Authentication factor type in VISO software

## 2. INSTALLATION

Name	Wire colour	Description
12V	Red	12VDC power supply
GND	Black	Ground
A	Yellow	RS485 bus, line A
B	Green	RS485 bus, line B

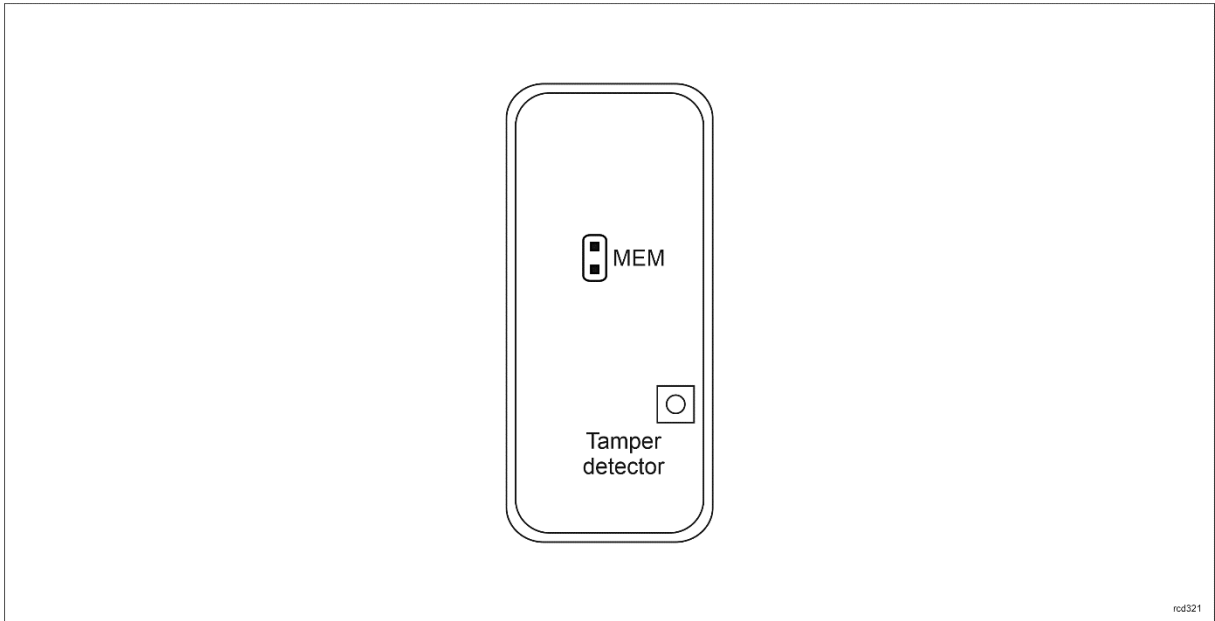
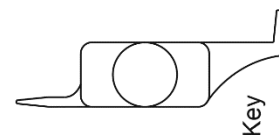
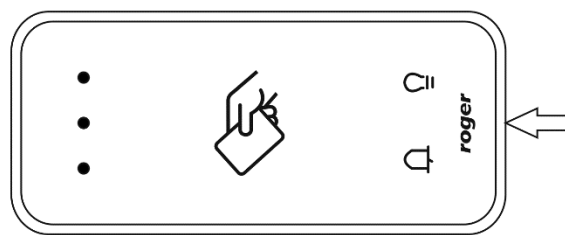
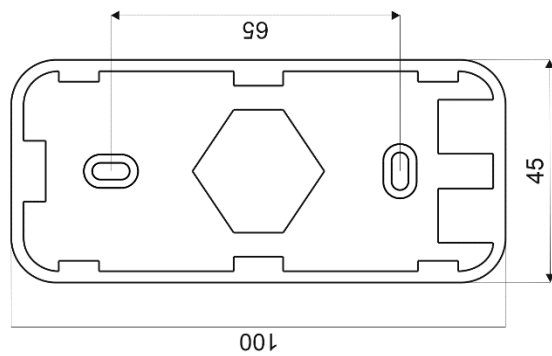
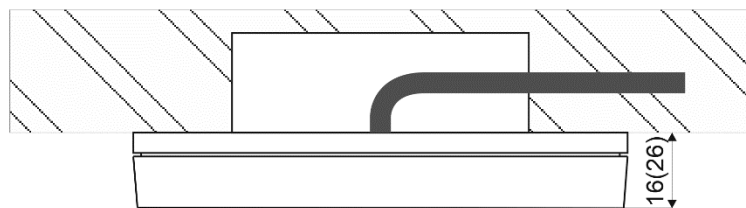


Fig. 5 Configuration jumpers

MCT80M-BLE terminal



Open the enclosure with included plastic key. Insert key ending and then rotate slightly the key to completely open the enclosure.



Fig. 6 MCT80M-BLE installation

Note: MCT80M-BLE enclosure consists of front panel and back panel. New device is assembled with a standard back panel, but additional free of charge, extended back panel is included. This panel can be used when connection cable has to be hidden and no flush mounting box is available.

### Installation guidelines

- The terminal should be mounted on a vertical structure (wall) away from sources of heat and moisture.
- Front panel should be attached in such way as the tamper detector (fig. 5) would firmly press the back panel.
- All electrical connections should be done with disconnected power supply.
- If the device is installed in a place exposed to conductive dusts (e.g. metal dusts), after the installation, the MEM/RST/FDM pins should be protected with insulating mass, e.g. silicone.
- If the terminal and controller are not supplied from the same PSU, then GND terminals of both devices must be connected with any wire.
- Device can be cleaned by means of wet cloth and mild detergent without abrasive components. In particular do not clean with alcohols, solvents, petrol, disinfectants, acids, rust removers, etc. Damages resulting from improper maintenance and usage are not covered by manufacturer warranty.
- If the reader is installed in EU countries, the BLE radio power level (parameters: *BLE broadcasting power [dBm]* and *BLE transmission power [dBm]*) should be set to 1(-18dBm).

### 3. OPERATION SCENARIOS

When connected to MC16 access controller terminal can be at the same time used for access control, Time & Attendance and to control external devices with function keys. The example of connection diagram for such scenario is shown in fig. 7 where the terminal's power supply line and RS485 bus are connected directly to the controller. The terminal can also operate with MC16 controller using MCX2D/MCX4D expanders as in case of M16-PAC-x-KIT series.

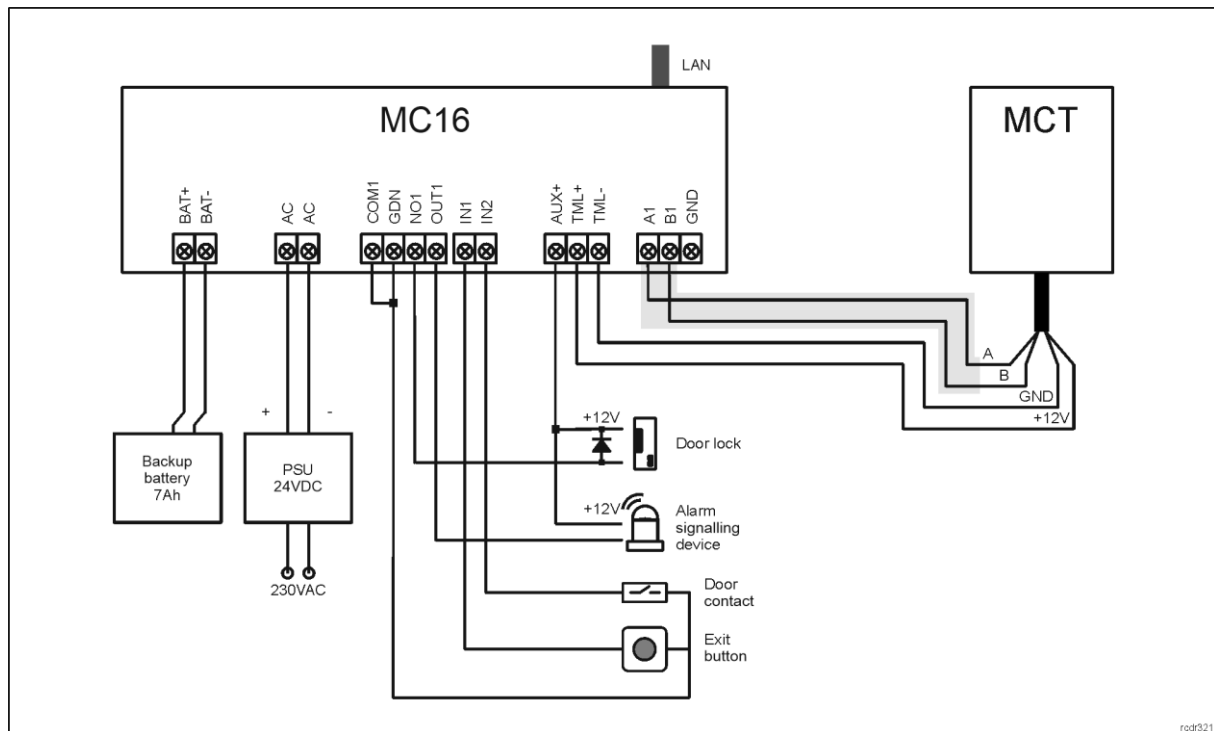


Fig. 7 Typical connection diagram for the terminal and MC16 access controller

### 4. CONFIGURATION

The purpose of low level configuration is to prepare device for operation in RACS 5 system. In case of RACS 5 v1 system the address of device must be configured by means of RogerVDM software or by manual addressing before connection to MC16 controller. While in RACS v2 system, low level configuration and addressing can be done with VISO v2 software during final configuration of the



system. Therefore in RACS 5 v2 system the configuration from RogerVDM software and manual addressing are optional and during installation it is only necessary to properly connect the device to MC16 access controller.

### Low level configuration (VISO v2)

In RACS 5 v2 system the reader can be installed at site without previous configuration. According to AN006 application note, its address and other settings can be configured from VISO v2 management software and during such configuration the access to its service contacts (fig. 5) is not required.

### Low level configuration (RogerVDM)

Programming procedure with RogerVDM software (firmware x.1.30.266 or newer):

1. Connect the device to RUD-1 interface (fig. 8) and connect the RUD-1 to computer's USB port.
2. Remove jumper from MEM contacts (fig. 5) if it is placed there.
3. Restart the device (switch power supply off and on) and orange LED SYSTEM will pulsate. Then within 5 seconds place jumper on MEM contacts.
4. Start RogerVDM program, select *MCT* device, firmware version, *RS485* communication channel and serial port with RUD-1 interface.
5. Click *Connect*, the program will establish connection and will automatically display *Configuration* tab.
6. Enter unoccupied RS485 address in range of 100-115 and other settings according to requirements of specific installation.
7. Click *Send to Device* to update the configuration of device.
8. Optionally make a backup by clicking *Send to File...* and saving settings to file on disk.
9. Disconnect from RUD-1 interface and leave jumper on MEM contacts to enable further configuration of device from VISO v2 software or remove jumper from MEM contacts to block such remote configuration.

Programming procedure with RogerVDM software (firmware older than x.1.30.266):

1. Connect the reader to RUD-1 interface (fig. 8) and connect the RUD-1 to computer's USB port.
2. Place jumper on MEM contacts (fig. 5).
3. Restart the reader (switch power supply off and on) and orange LED SYSTEM will pulsate.
4. Start RogerVDM program, select *MCT* device, firmware version, *RS485* communication channel and serial port with RUD-1 interface.
5. Click *Connect*, the program will establish connection and will automatically display *Configuration* tab.
6. Enter unoccupied RS485 address in range of 100-115 and other settings according to requirements of specific installation.
7. Click *Send to Device* to update the configuration of device.
8. Optionally make a backup by clicking *Send to File...* and saving settings to file on disk.
9. Remove jumper from MEM contacts and disconnect device from RUD-1 interface.

---

Note: Do not read any cards when the device is being configured from RogerVDM.

---

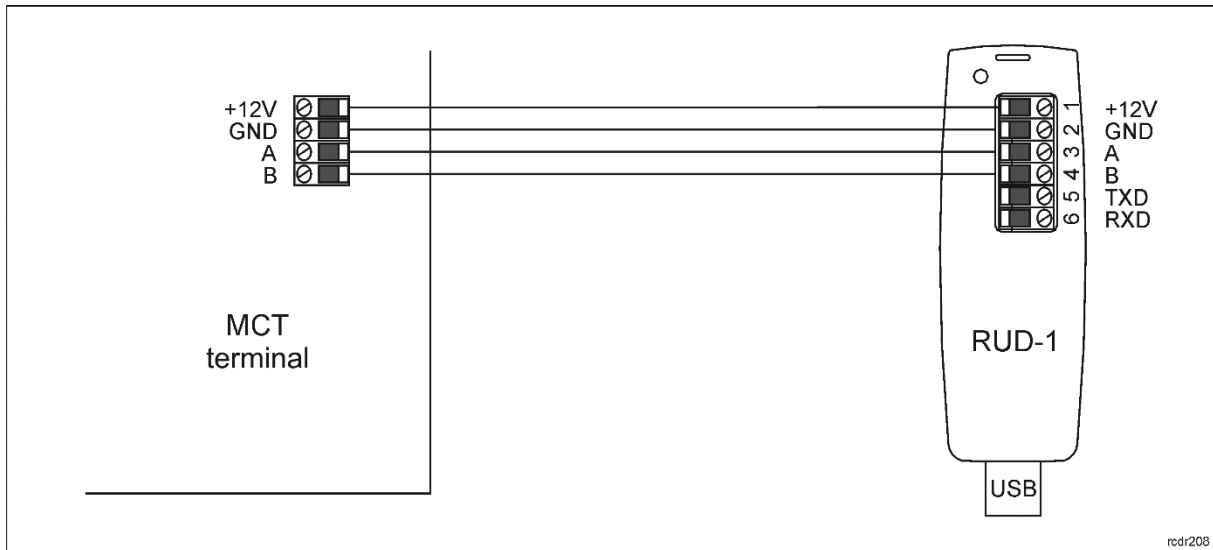


Fig. 8 Connection to RUD-1 interface.

<b>Table 4. List of low level parameters</b>	
<b>Communication settings</b>	
RS485 address	Parameter defines device address on RS485 bus. Range: 100-115. Default value: 100.
RS485 communication timeout [s]	Parameter defines delay after which device will signal lost communication with controller. When set to 0 then signalling is disabled. Range: 0-64s. Default value: 20s.
RS485 encryption	Parameter enables encryption at RS485 bus. Range: [0]: No, [1]: Yes. Default value: [0]: No.
RS485 encryption key	Parameter defines key for encryption of communication at RS485 bus. Range: 4-16 ASCII characters.
NFC/BLE authentication factor encryption key	Parameter defines encryption key for NFC/BLE key (authentication factor). Range: 4-16 ASCII characters.
NFC/BLE communication encryption key	Parameter defines key for encryption of NFC/BLE communication. Range: 4-16 ASCII characters.
BLE authentication factor class	Parameter defines acceptable type of keys (authentication factors) created in Roger Mobile Key app for Bluetooth (BLE) communication. UCE means lower security and quicker identification while REK means higher security and slower identification. It is necessary to apply classes in RMK which are acceptable for terminal. Range: [1]: REK, [2]: UCE, [3]: UCE + REK. Default value: [3]: UCE + REK.
NFC authentication factor class	Parameter defines acceptable type of keys (authentication factors) created in Roger Mobile Key app for NFC communication. UCE means lower security and quicker identification while REK means higher security and slower identification. It is necessary to apply classes in RMK which are acceptable for terminal. Range: [1]: REK, [2]: UCE, [3]: UCE + REK. Default value: [2]: UCE.
<b>Optical signalisation</b>	
LED SYSTEM pulsing when card near reader	Parameter enables LED SYSTEM (orange) pulsing when card is close to the device. Range: [0]: No, [1]: Yes. Default value: [0]: No.

Backlight level [%]	Parameter defines backlight level. When set to 0 then backlight is disabled. Range: 0-100. Default value: 100.
Backlight dimming when card/key used	Parameter enables temporary backlight dimming whenever card is read, or key is pressed. Range: [0]: No, [1]: Yes. Default value: [0]: No.
LED SYSTEM flash after card read	Parameter enables short flash of LED SYSTEM (orange) when card is read. Range: [0]: No, [1]: Yes. Default value: [1]: Yes.
LED SYSTEM flash after key press	Parameter enables short flash of LED SYSTEM (orange) when key is pressed. Range: [0]: No, [1]: Yes. Default value: [1]: Yes.
<b>Acoustic signalisation</b>	
Buzzer loudness level [%]	Parameter defines buzzer loudness level. When set to 0 then buzzer is disabled Range: 0-100. Default value: 100.
Short sound after card read	Parameter enables short sound (beep) generating by buzzer when card is read. Range: [0]: No, [1]: Yes. Default value: [1]: Yes.
Short sound after key press	Parameter enables short sound (beep) generating by buzzer when key is pressed. Range: [0]: No, [1]: Yes. Default value: [1]: Yes.
<b>Keypad settings</b>	
Keypad activated	Parameter enables deactivation of keypad. Range: [0]: No, [1]: Yes. Default value: [1]: Yes.
[F1] and [F2] key press options	Parameter defines key press type for [Door Bell] and [Light] function keys. Range: [1]: Short press only, [2]: Long press only, [3]: Short and long press. Default value: [1]: Short press only.
<b>Advanced settings</b>	
AF type	Parameter defines authentication factor type returned by terminal. Default value: [0010]: Number 40b.
Long card read time [s]	Parameter defines long card read time. When set to 0 then long read is disabled. Range: 0-64. Default value: 0.
Long key press time [s]	Parameter defines long press time for such key types as [*], [#] and [F1] - [F4]. When set to 0 then long press is disabled. Range: 0-64. Default value: 2.
BLE activated	Parameter enables deactivation of Bluetooth transmission. Range: [0]: No, [1]: Yes. Default value: [1]: Yes.
BLE session timeout [s]	Parameter defines maximal time for establishing connection between mobile device and terminal in Bluetooth technology. When timeout elapses the session is interrupted by terminal so mobile device could attempt to establish connection again. When set to 0 then timeout is disabled. Range: 0-10. Default value: 3.
BLE broadcasting power [dBm]	Parameter defines power of broadcasting radio signal for Bluetooth communication. Range: [1]: -18dBm; [2]: -12dBm; [3]: -6dBm; [4]: -3dBm; [5]: -2dBm; [6]: -1dBm; [7]: 0dBm. Default value: [1]: -18dBm.
BLE transmission power [dBm]	Parameter defines power of transmission radio signal for Bluetooth communication. Range [0]: Auto; [1]: -18dBm; [2]: -12dBm; [3]: -6dBm; [4]: -3dBm; [5]: -2dBm; [6]: -1dBm; [7]: 0dBm. Default value: [0]: Auto.
<b>Comments</b>	

DEV	Parameter defines any text or comment which corresponds to the object. It is later displayed in VISO program.
KBD1	Parameter defines any text or comment which corresponds to the object. It is later displayed in VISO program.
CDI1	Parameter defines any text or comment which corresponds to the object. It is later displayed in VISO program and Roger Mobile Key App.
IN1 (Tamper)	Parameter defines any text or comment which corresponds to the object. It is later displayed in VISO program.
<b>Serial card number (CSN) settings</b>	
Serial number length (CSNL) [B]	Parameter defines the number of bytes from serial card number (CSN) which will be used to generate returned card number (RCN). RCN is the actual card number read by reader and it is created as sum of serial card number (CSN) and programmable card number (PCN).
<b>Programmable card number (PCN) settings for Mifare Ultralight</b>	
Sector type	Parameter defines sector type with programmable number (PCN). If the option [0]: None is selected, then card returned number (RCN) will include only CSN and PCN will be discarded. Range: [0]: None; [1]: SSN. Default value: [0]: None.
SSN first page number	Parameter defines location of SSN in card memory. Range: 4-12. Default value: 4.
<b>Programmable card number (PCN) settings for Mifare Classic</b>	
Sector type	Parameter defines sector type with programmable number (PCN). If the option [0]: None is selected, then card returned number (RCN) will include only CSN and PCN will be discarded. Range: [0]: None; [1]: SSN; [2]: MAD. Default value: [0]: None.
Format	Parameter defines format of PCN. Range: [0]: BIN; [1]: ASCII HEX. Default value: [0]: BIN.
First byte position (FBP)	Parameter defines the position of the first byte for PCN in data block on card. Range: 0-15. Default value: 0.
Last byte position (LBP)	Parameter defines the position of the last byte for PCN in data block on card. Range: 0-15. Default value: 7.
Sector ID	Parameter defines sector number where PCN is stored. Range: 0-39. Default value: 1.
Application ID (AID)	Parameter defines application ID number (AID) which indicates sector where PCN number is stored. Range: 0-9999. Default value: 5156.
Block ID	Parameter defines block number where PCN is stored. Range: 0-2 to for sectors 0-31 and 0-14 for sectors 32-39. Default value: 0.
Key type	Parameter defines key type used to access sector with PCN. Range: [0]: A; [1]: B; [2]: Roger. Default value: [0]: A.
Key	Parameter defines 6 bytes (12 HEX digits) key for accessing sector where PCN is stored.
<b>Programmable card number (PCN) settings for Mifare Plus</b>	
Sector type	Parameter defines sector type with programmable number (PCN). If the option [0]: None is selected, then card returned number (RCN) will include only CSN and PCN will be discarded.

	Range: [0]: None, [1]: SSN, [2]: MAD. Default value: [0]: None.
Format	Parameter defines format of PCN. Range: [0]: BIN; [1]: ASCII HEX. Default value: [0]: BIN.
First byte position (FBP)	Parameter defines the position of the first byte for PCN in data block on card. Range: 0-15. Default value: 0.
Last byte position (LBP)	Parameter defines the position of the last byte for PCN in data block on card. Range: 0-15. Default value: 7.
Sector ID	Parameter defines sector number where PCN is stored. Range: 0-39. Default value: 1.
Application ID (AID)	Parameter defines application ID number (AID) which indicates sector where PCN number is stored. Range: 0-9999. Default value: 5156.
Block ID	Parameter defines block number where PCN is stored. Range: 0-2 to for sectors 0-31 and 0-14 for sectors 32-39. Default value: 0.
Key type	Parameter defines key type used to access sector with PCN. Range: [0]: A; [1]: B. Default value: [0]: A.
<b>Programmable card number (PCN) settings for Mifare Desfire</b>	
Sector type	Parameter defines sector type with programmable number (PCN). If the option [0]: None is selected, then card returned number (RCN) will include only CSN and PCN will be discarded. Range: [0]: None, [1]: Desfire file. Default value: [0]: None.
Format	Parameter defines format of PCN. Range: [0]: BIN, [1]: ASCII HEX. Default value: [0]: BIN.
First byte position (FBP)	Parameter defines the position of the first byte for PCN in data block on card. Range: 0-15. Default value: 0.
Last byte position (LBP)	Parameter defines the position of the last byte for PCN in data block on card. Range: 0-15. Default value: 7.
Application ID (AID)	Parameter defines application ID number (AID) which indicates sector where PCN number is stored. Range: 0-9999. Default value: F51560.
File ID (FID)	Parameter defines file identifier in AID. Range: 0-32 for Desfire EV1 and 0-16 for Desfire EV0. Default value: 0.
Communication protection level	Parameter defines encryption method for communication between card and reader. Range: [0]: Plain; [1]: Data authentication by MAC; [2]: Full encryption. Default value: [0]: Plain.
Key number	Parameter defines application key number used for file read. Range: 0-13. Default value: 0.
Key type	Parameter defines encryption key type for Desfire file. Range: [0]: TDES Native; [1]: TDES Standard; [2]: 3-KTDES; [3]: AES128. Default value: [0]: TDES Native.
Key	Parameter defines access key for Desfire file with PCN. 3-KTDES key is 24 bytes (48 HEX digits), TDES and AES keys are 16 bytes (32 HEX digits).

## Manual addressing

Manual addressing procedure enables configuration of new RS485 address with all other settings unchanged.

### Manual addressing procedure (firmware 1.0.6.193 or newer):

1. Remove all connections from A and B lines.
2. Remove jumper from MEM contacts (fig. 5) if it is placed there.
3. Restart the device (switch power supply off and on) and orange LED SYSTEM will pulsate. Then within 5 seconds place jumper on MEM contacts.
4. Enter 3 digits of RS485 address in range of 100-115 with any MIFARE card.
5. Leave jumper on MEM contacts to enable further configuration of device from VISO v2 software or remove jumper from MEM contacts to block such remote configuration.
6. Restart the device.

### Manual addressing procedure (firmware older than 1.0.6.193):

1. Remove all connections from A and B lines.
2. Place jumper on MEM contacts (fig. 5).
3. Restart the device (switch power supply off and on) and orange LED SYSTEM will pulsate.
4. Enter 3 digits of RS485 address in range of 100-115 with any MIFARE card.
5. Remove jumper from MEM contacts and restart the device.

---

Note: Readers without keypad can be addressed with multiple card readings where the N number of readings emulates digit of the address. Three series of readings with any MIFARE proximity card are necessary to set the address. After each series wait for two beeps and proceed with the next digit. Zero digit is emulated with 10 readings.

---

### Example:

Programming of ID=101 address with card readings:

1. Read card 1 time and wait for two beeps.
2. Read card 10 times and wait for two beeps.
3. Read card 1 time and wait for two beeps.
4. Wait till reader is restarted with the new address.

## Memory reset

Memory reset procedure resets all settings to factory default ones including ID=100 address.

### Memory reset procedure (firmware 1.0.6.193 or newer):

1. Remove all connections from A and B lines.
2. Remove jumper from MEM contacts (fig. 5) if it is placed there.
3. Restart the device (switch power supply off and on) and orange LED SYSTEM will pulsate. Then within 5 seconds place jumper on MEM contacts.
4. Read any MIFARE card 11 times.
5. Wait till device confirms reset with long acoustic signal.
6. Leave jumper on MEM contacts to enable further configuration of device from VISO software and disconnect device from RUD-1 interface.
7. Restart the device.

### Memory reset procedure (firmware older than 1.0.6.193):

1. Remove all connections from A and B lines.
2. Place jumper on MEM contacts (fig. 5).
3. Restart the device (switch power supply off and on) and orange LED SYSTEM will pulsate.
4. Read any MIFARE card 11 times.
5. Wait till device confirms reset with long acoustic signal.
6. Remove jumper from MEM contacts and restart the device.

## High level configuration (VISO)

The purpose of high level configuration is to define logical functioning of the terminal which communicates with the MC16 access controller and it depends on applied scenario of operation. The example of access control system configuration is given in AN006 application note which is available at [www.roger.pl](http://www.roger.pl).

## 5. FIRMWARE UPDATE

The firmware of device can be changed to newer or older version. The update requires connection to computer with RUD-1 interface and starting RogerVDM software. The latest firmware file is available at [www.roger.pl](http://www.roger.pl).

---

Note: Backup configuration with RogerVDM software before firmware update because the update will restore factory default settings.

Note: Keyboard support firmware PSoC4\_CapSense\_I2C\_BLE\_MCT88 should be used only for devices: MCT80M-BLE v1.x Rev. A - Rev. D

Note: Keyboard support firmware PSoC4\_CapSense\_I2C\_BLE\_MCT88\_CY9C4128 should be used only for devices: MCT80M-BLE v1.x Rev. E or higher

---

### Firmware update procedure:

1. Connect the device to RUD-1 interface (fig. 8) and connect the RUD-1 to computer's USB port.
2. Place jumper on MEM contacts (fig. 5).
3. Restart the device (switch power supply off and on).
4. Start RogerVDM program and in the top menu select *Tools* and then *Update firmware*.
5. In the opened window select device type, serial port with RUD-1 interface and path to firmware file (\*.frg) and optional keyboard firmware (\*.cyacd).
6. Click *Update* to start firmware upload with progress bar in the bottom.
7. When the update is finished, disconnect from RUD-1 interface and remove jumper from MEM contacts. Additionally, it is recommended to start memory reset procedure.

## 6. SPECIFICATION


Table 5. Specification	
Supply voltage	11-15VDC
Current consumption (average)	~70mA
Tamper protection	Enclosure opening reported to access controller
Identification methods	13.56MHz Mifare® Ultralight, Classic, Plus and DESFire (EV1, EV2, EV3) proximity cards Mobile devices (Android) with NFC Mobile devices (Android, iOS) with BLE (Bluetooth Low Energy) v4.1
Reading range	Up to 7 cm for MIFARE cards and NFC Up to 10 m for BLE – depends on ambient conditions and particular mobile device. Terminal's radio power can be increased within low level configuration.
Distance	1200 m maximal cable length for RS485 bus between controller and terminal
IP	IP65
IK	IK06
Environmental class (according to EN 50133-1)	Class IV, outdoor general conditions, temperature: -25°C to +60°C, relative humidity: 10 to 95% (no condensation)
Dimensions HWD	100x45x16 (26) mm
Weight	~100g
Certificates	CE; RoHS
Manufacturer's warranty	36 months

## 7. ORDERING INFORMATION

MCT80M-BLE	Outdoor Mifare® DESFire (EV1, EV2, EV3)/Plus/NFC/Bluetooth access terminal with 2 function keys
RUD-1	Portable USB-RS485 communication interface dedicated to ROGER access control devices

## 8. PRODUCT HISTORY

Version	Date	Description
MCT80M-BLE v1.0	03/2019	The first commercial version of product

	This symbol placed on a product or packaging indicates that the product should not be disposed of with other wastes as this may have a negative impact on the environment and health. The user is obliged to deliver equipment to the designated collection points of electric and electronic waste. For detailed information on recycling, contact your local authorities, waste disposal company or point of purchase. Separate collection and recycling of this type of waste contributes to the protection of the natural resources and is safe to health and the environment. Weight of the equipment is specified in the document.
---	--

*This document is subject to the Terms of Use in the current version published on the website [www.roger.pl](http://www.roger.pl)*

### **Contact:**

**Roger sp. z o. o. sp.k.**  
**82-400 Gościszewo 59**  
**Tel.: +48 55 272 0132**  
**Fax: +48 55 272 0133**  
**Tech. support: +48 55 267 0126**  
**E-mail: [support@roger.pl](mailto:support@roger.pl)**