

Roger Access Control System

MCT82M-IO-HR Operating Manual

Product version: 1.0

Firmware version: 1.1.18 or newer

Document version: Rev.H



This document is subject to the Terms of Use in the current version published on the website www.roger.pl. The manufacturer reserves the right to make changes to the product without prior notice. © ROGER sp. z o. o. sp.k. All rights reserved.

1. DESIGN AND APPLICATION

The MCT82M-IO-HR is an access terminal dedicated to RACS 5 system. The device enables identification of users by 13,56 MHz MIFARE® Ultralight/Classic/Plus/DESFire (EV1, EV2, EV3) proximity cards. The terminal is mainly dedicated to hotel applications and besides room entry control it enables the presentation of such hotel signalizations with its LED indicators as Do Not Disturb, Make up the Room, Emergency Call and Service Call. The device is offered in two versions: MCT82M-IO-HR for surface mounting and MCT82M-IO-HR-F for flush mounting. The terminal is connected to access controller through RS485 interface.

Note: The application of RACS 5 system in hotels is explained in AN033 application note which is available at www.roger.pl.

Characteristics

- RACS 5 system access terminal
- 13.56 MHz MIFARE Ultralight/Classic/Plus/DESFire (EV1, EV2, EV3) proximity cards
- 4 LED indicators
- Buzzer
- Function key (bell)
- 3 parametric (EOL) inputs
- 2 transistor outputs
- 1 relay output
- RS485 interface
- Tamper protection
- Screw terminals

Power supply

The terminal requires power supply voltage in range of 11-15VDC. It can be supplied from MCX2D/MCX4D expander of MC16-PAC-KIT, from MC16 access controller (e.g. TML output) or from dedicated power supply unit. The supply wire diameter must be selected in such way that the voltage drop between supply output and the device would be lower than 1V. The proper wire diameter is especially critical when device is located in long distance from the supply source. In such a case the use of dedicated power supply unit located close to the device should be considered. When separate power supply unit is used then its minus should be connected to controller's GND by means of signal wire with any diameter. It is recommended to use UTP cable for connection of device to controller. The table below shows maximal UTP cable lengths in relation to the number of wires used for power supply.

Table 1. Power supply cabling	
Number of UTP wire pairs for power supply	Maximal length of power supply cable
1	150m
2	300m
3	450m
4	600m

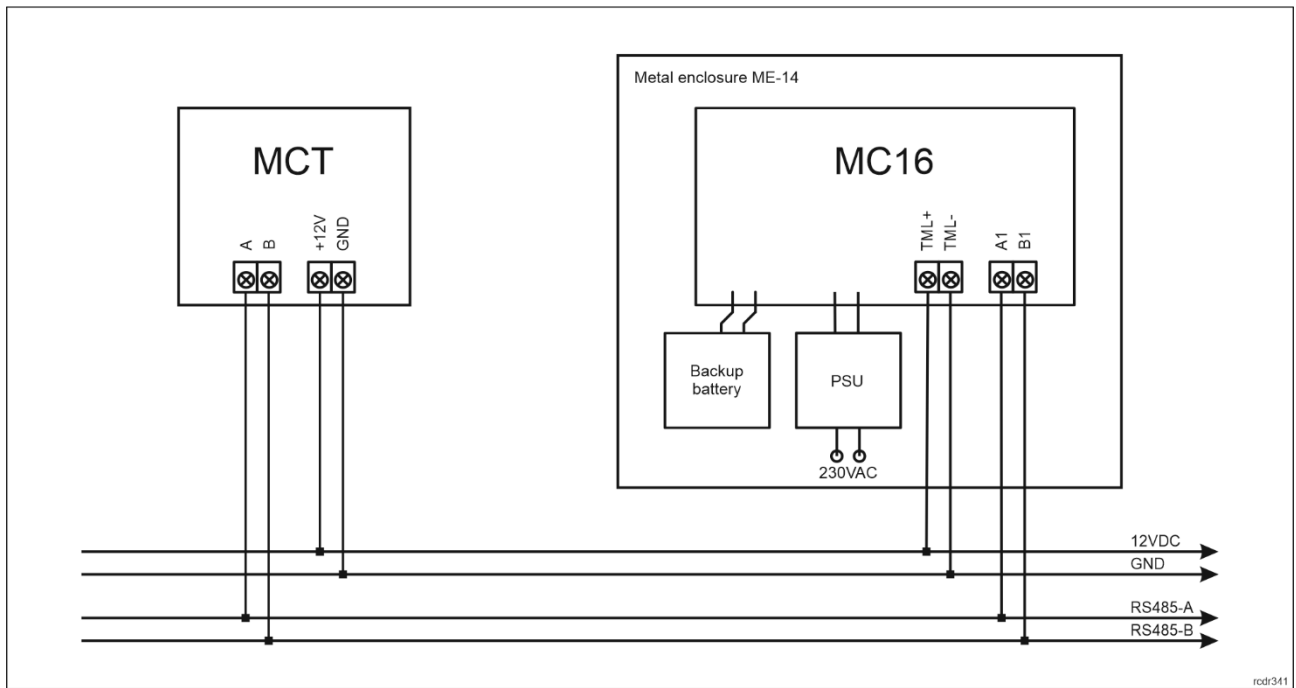


Fig. 1 MCT supply from MC16 access controller

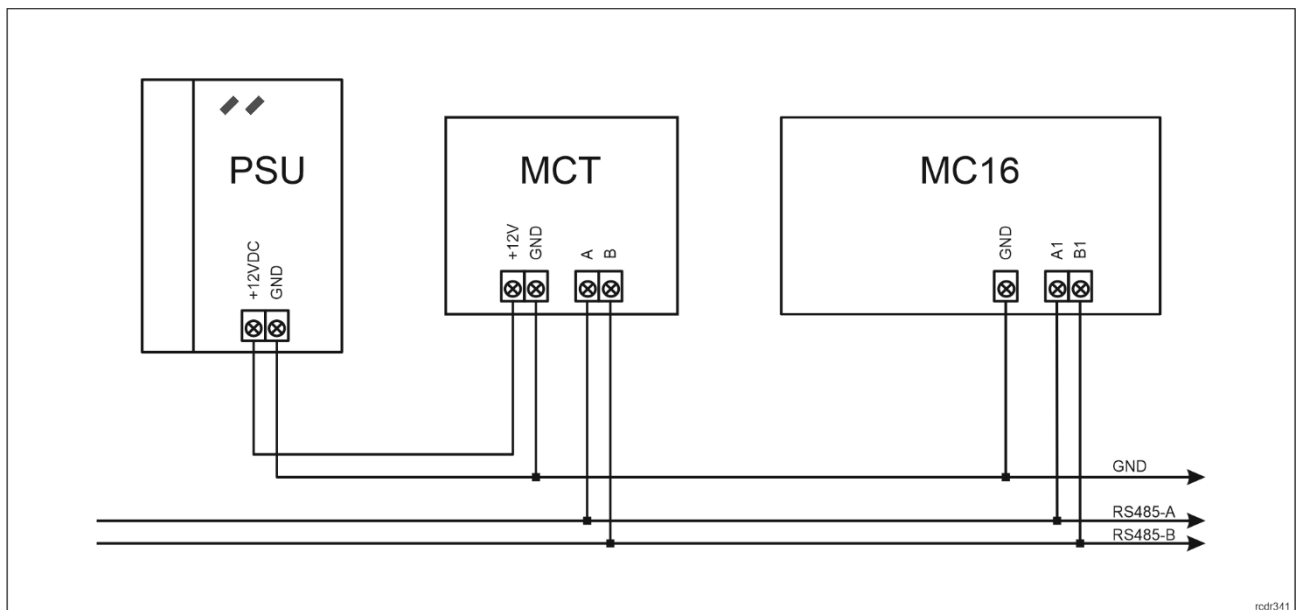


Fig. 2 MCT supply from dedicated power supply unit

RS485 bus

The communication with MC16 access controller is provided with RS485 bus which can encompass up to 16 devices of RACS 5 system, each with unique address in range of 100-115. The bus topology can be freely arranged as star, tree or any combination of them except for loop. The matching resistors (terminators) connected at the ends of transmitting lines are not required. In most cases communication works with any cable type (standard telephone cable, shielded or unshielded twisted pair etc.) but the recommended cable is unshielded twisted pair (U/UTP cat.5). Shielded cables should be limited to installations subject to strong electromagnetic interferences. The RS485 communication standard used in the RACS 5 system guarantees proper communication in a distance of up to 1200 meters as well as high resistance to interferences.

Note: Do not use more than single pair in UTP cable for RS485 communication bus.

Function key

The terminal is equipped with touch function key. Various functions can be assigned to the key within high level configuration (VISO) e.g. door bell.

LED indicators

The terminal is equipped with four LED indicators which are mainly used to signal hotel functions but they can also be programmed with other available functions within high level configuration (VISO).

Table 2. LED indicators		
Name	Colour	Function
CALL SERVICE	Green	Requires programming
MAKE UP ROOM	Orange	Requires programming
CALL ASSISTANCE	Blue	Requires programming
DO NOT DISTURB	Red	Requires programming

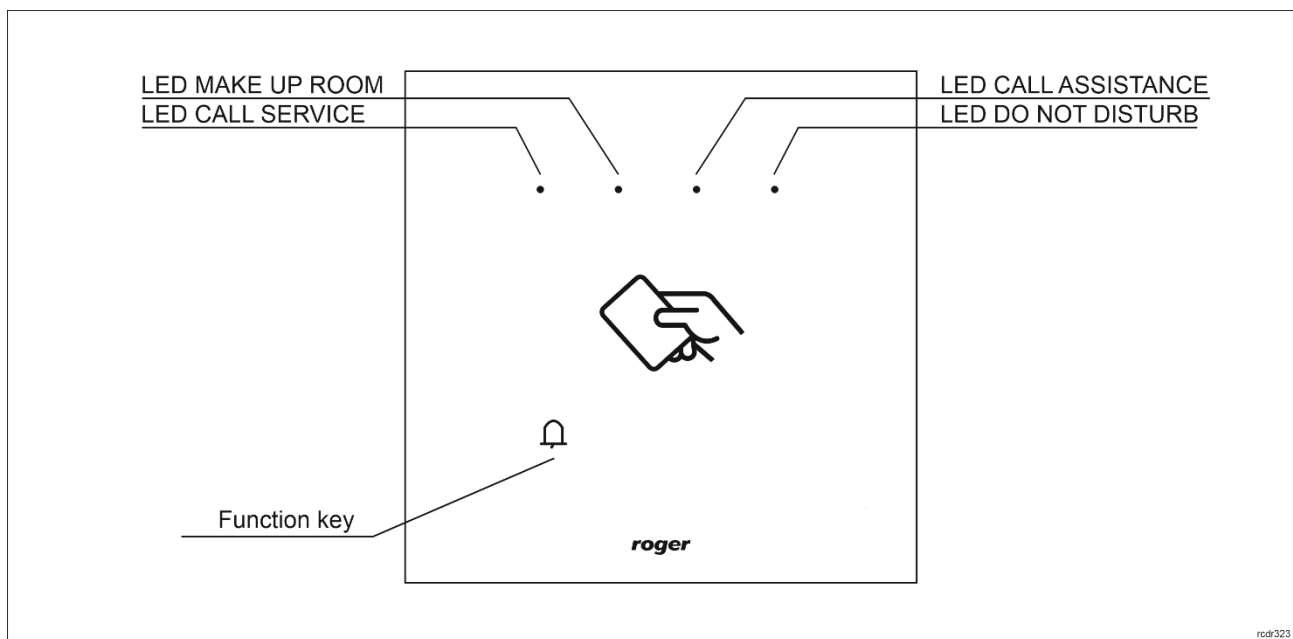


Fig. 3 Indicators and function key

Note: Synchronic pulsing of all four LEDs signifies lost communication with MC16 controller.

Buzzer

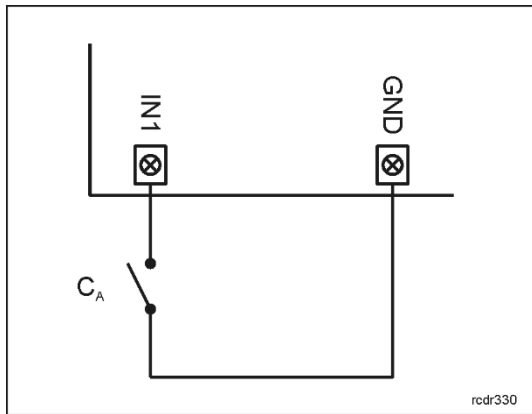
The terminal is equipped with buzzer which is used to signal integral functions and it can be additionally programmed with other available functions within high level configuration (VISO).

Inputs

The terminal offers 3 general purpose parametric inputs of NO, NC, 3EOL/DW/NO and 3EOL/DW/NC type and 1 input internally connected to tamper contact. Input types and electric parameters such as response time and parametric resistors are defined within low level configuration (VISO v2 or RogerVDM). Input functions are assigned within high level configuration (VISO). Multiple functions can be assigned to the same input at the same time.

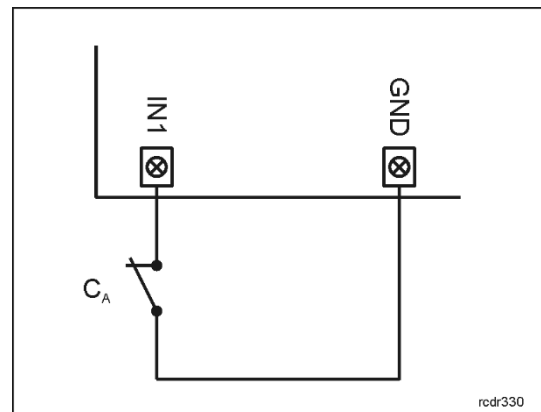
Table 3. Input types

NO input



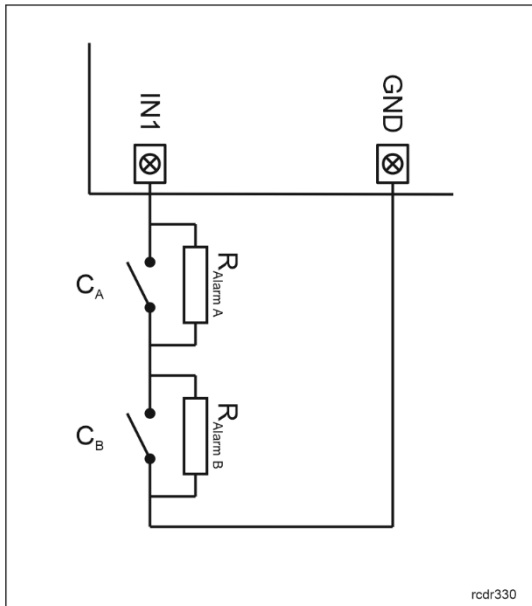
NO input can be in normal or in triggered state. In normal state C_A contacts are opened. Input triggering is caused by C_A contacts closing.

NC input



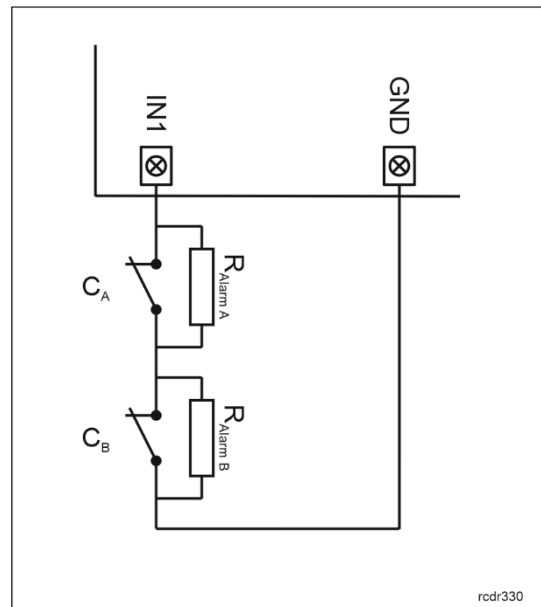
NC input can be in normal or in triggered state. In normal state C_A contacts are closed. Input triggering is caused by C_A contacts opening.

3EOL/DW/NO input



3EOL/DW/NO input is operated in such way that C_A contacts closing is interpreted as triggering of the first input while C_B closing is interpreted as triggering of the second input. In VISO software DW input type is represented by two independent inputs. Each can be used for different purpose and assigned with different function.

3EOL/DW/NC input



3EOL/DW/NC input is operated in such way that C_A contacts opening is interpreted as triggering of the first input while C_B opening is interpreted as triggering of the second input. In VISO software DW input type is represented by two independent inputs. Each can be used for different purpose and assigned with different function.

Parametric resistors

The same values of parametric resistors are used for all inputs i.e. 1k Ω ; 1,2k Ω ; 1,5k Ω ; 1,8k Ω ; 2,2k Ω ; 2,7k Ω ; 3,3k Ω ; 3,9k Ω ; 4,7k Ω ; 5,6k Ω ; 6,8k Ω ; 8,2k Ω ; 10k Ω ; 12k Ω . In case of 3EOL/DW (Double Wiring) input type, Alarm A resistor defines a value of resistor used to detect triggering of the first input while Alarm B resistor defines a value of resistor used to detect triggering of the second input. Alarm A resistor value must differ from value of Alarm B resistor at least by three positions in the list above. Total resistance of wire used to connect contacts to input should not exceed 100 Ω . Default values of parametric resistors:

- Alarm A = 2,2 k Ω

- Alarm B = 5,6 kΩ

Response time

Response time parameter defines minimal impulse time on the input which triggers the input. Each input can be configured individually in range of 50 to 5000 ms within low level configuration (VISO v2 or RogerVDM).

Tamper detector

Built-in tamper (sabotage) detector enables detection of unauthorized opening of device's enclosure as well as detachment of the enclosure from wall. The detector is internally connected to the terminal's input. It does not require low level configuration or any additional installation arrangements but it is essential to mount front panel in such way as the tamper detector (fig 4) would firmly press the back panel. The detector requires high level configuration which consists in assignment of the function [133] *Tamper Toggle* on the level of a *Main Board* of a controller in VISO software navigation tree.

Outputs

The terminal offers 2 transistor open collector type outputs (15V/150mA rated) and 1 relay output with NO/NC contacts (30V/1.5A DC/AC rated). Electric parameters such as polarity are configured within low level configuration (VISO v2 or RogerVDM). Function are assigned to outputs within high level configuration (VISO). Multiple functions with different priorities can be assigned to the same output at the same time.

Identification

By default the terminal reads serial numbers (CSN) of MIFARE cards but it is possible to program cards with own numbers (PCN) in selected and encrypted sectors of card memory. The use of PCN prevents card cloning and consequently it significantly increases security in the system. More information on MIFARE card programming is given in AN024 application note which is available at www.roger.pl.

The technical characteristics of the device are guaranteed for RFID cards supplied by Roger. Cards from other sources may be used, but they are not covered by the manufactures warranty. Before deciding to use specific Roger products with third-party contactless cards, it is recommended to conduct tests that will confirm satisfactory operation with the specific Roger device and software in which it operates.

2. INSTALLATION

Table 4. Screw terminals	
Name	Description
+12V	12VDC power supply
GND	Ground
A	RS485 bus, line A
B	RS485 bus, line B
COM	REL1 relay common contact
NC	REL1 relay normally closed contact
NO	REL1 relay normally opened contact
IN1	IN1 input line
IN2	IN2 input line
IN3	IN3 input line
IO1	OUT1 output line
IO2	OUT2 output line

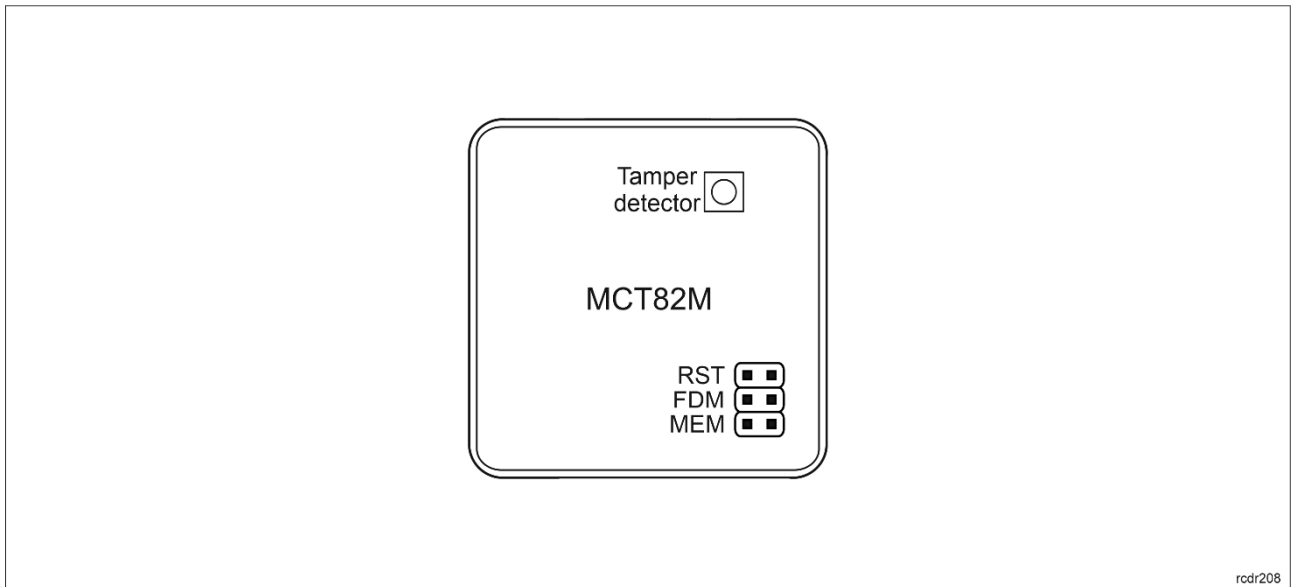
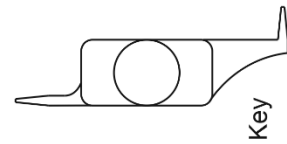
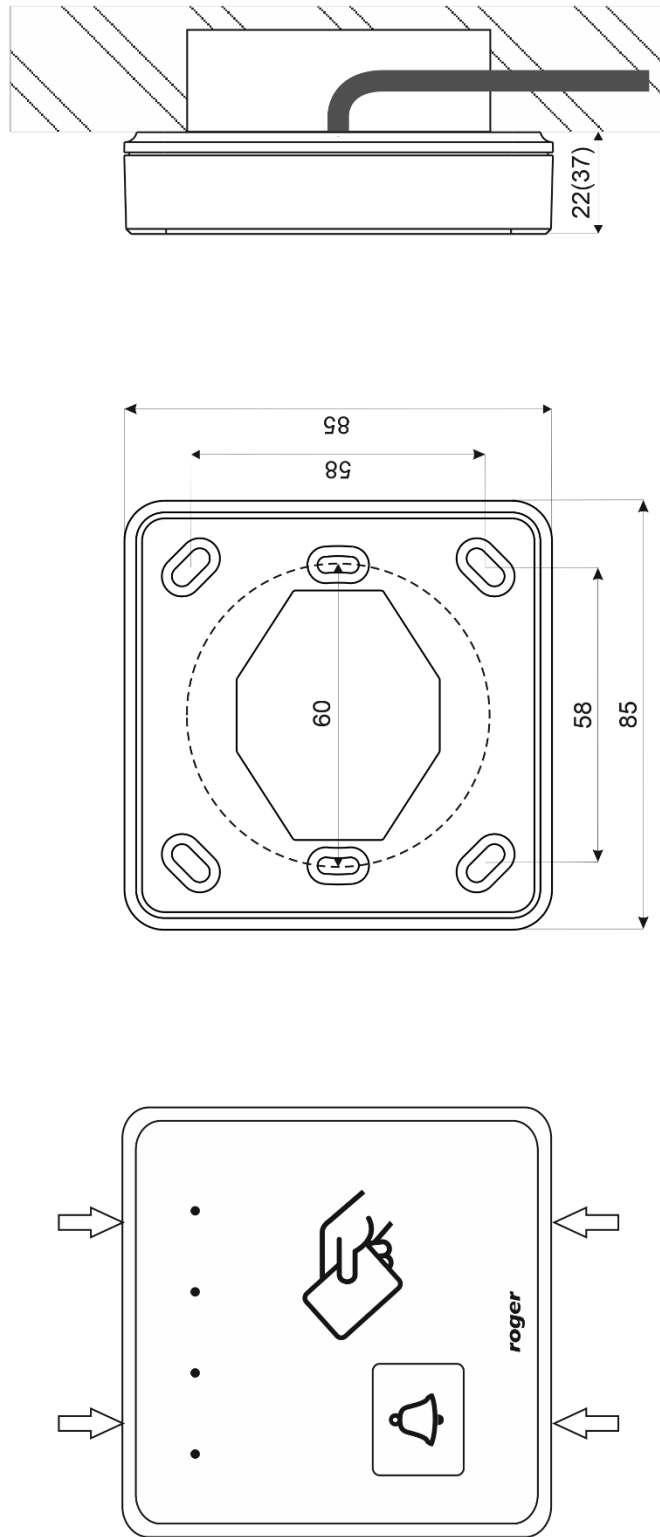


Fig. 4 Internal side of the front panel

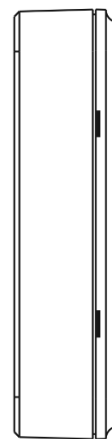
Note: MCT82M-IO-HR enclosure consists of front panel and back panel. New device is assembled with a standard back panel, but additional free of charge, extended back panel is included. This panel can be used when connection cable has to be hidden and no flush mounting box is available.

MCT82M-IO-HR terminal (surface mounting)



Open the enclosure with included plastic key. Insert key ending into each of four holes until each internal latch is released.

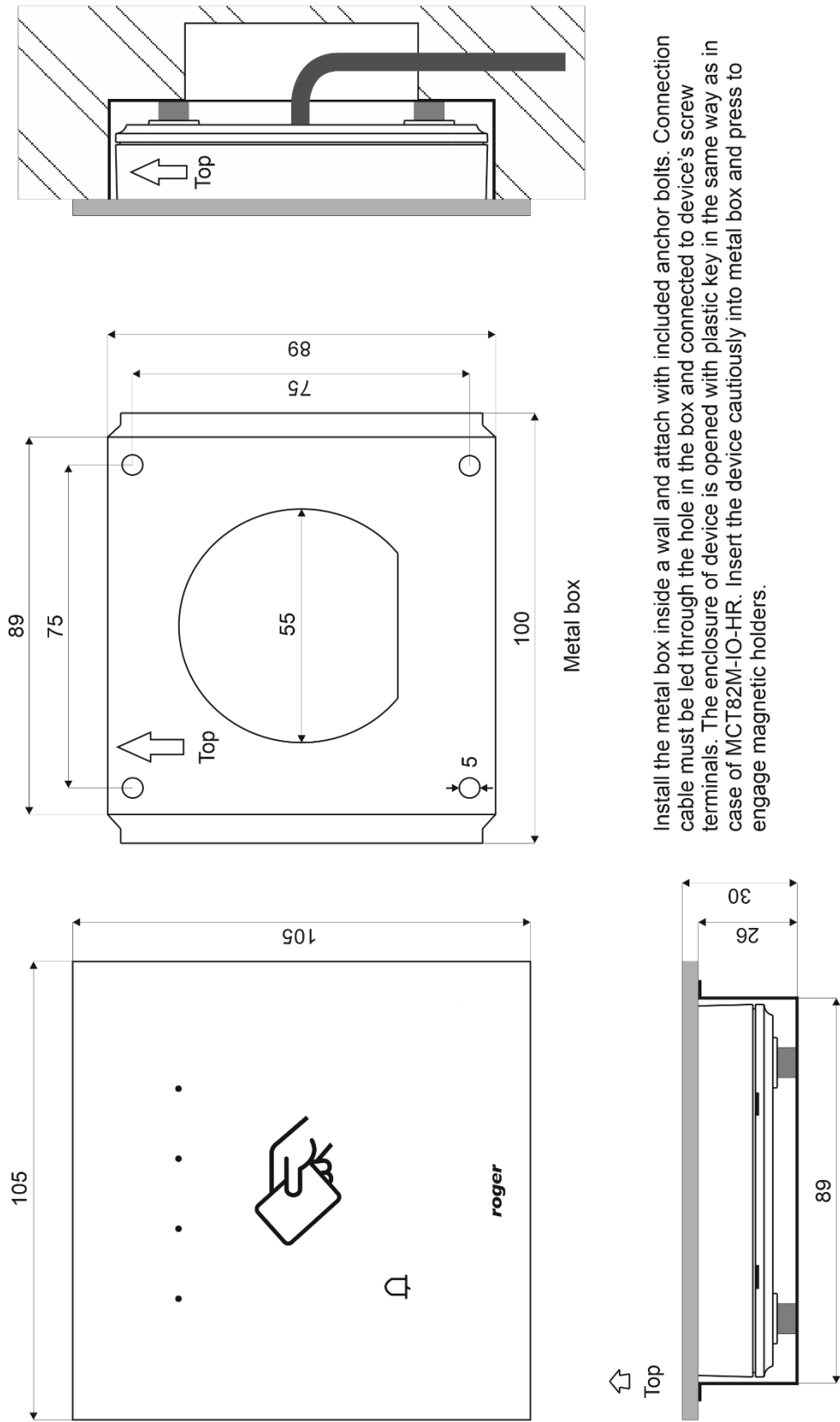
Do NOT rotate key ending or lever any latch!



ref:323

Fig. 5 MCT82M-IO-HR installation

MCT82M-IO-HR-F terminal (flush mounting)



Install the metal box inside a wall and attach with included anchor bolts. Connection cable must be led through the hole in the box and connected to device's screw terminals. The enclosure of device is opened with plastic key in the same way as in case of MCT82M-IO-HR. Insert the device cautiously into metal box and press to engage magnetic holders.

redr323

Fig. 6 MCT82M-IO-HR-F installation

Installation guidelines

- The terminal should be mounted on a vertical structure (wall) away from sources of heat and moisture.
- In particular, it is not allowed to install the reader in places with high humidity such as saunas, swimming pools, car washes, etc.
- Front panel should be attached in such way as the tamper detector (fig. 4) would firmly press the back panel.
- All electrical connections should be done with disconnected power supply.
- If the terminal and controller are not supplied from the same PSU then GND terminals of both devices must be connected with any wire.
- Device can be cleaned by means of wet cloth and mild detergent without abrasive components. In particular do not clean with alcohols, solvents, petrol, disinfectants, acids, rust removers, etc. Damages resulting from improper maintenance and usage are not covered by manufacturer warranty.
- The electronic module inside the housing is sensitive to electrostatic discharge. Before performing any work on the module, any electrical charge accumulated on the person performing work inside the device must be removed. This can be accomplished, for example, by touching a grounded metal object with a bare hand.

3. OPERATION SCENARIO

The terminal when connected to MC16 access controller can be used for access control, especially in case of hotel room. The example of connection diagram for such scenario is shown in fig. 7 where the terminal's power supply line and RS485 bus are connected directly to the controller. The terminal can also operate with MC16 controller using MCX2D/MCX4D expanders as in case of M16-PAC-KIT series.

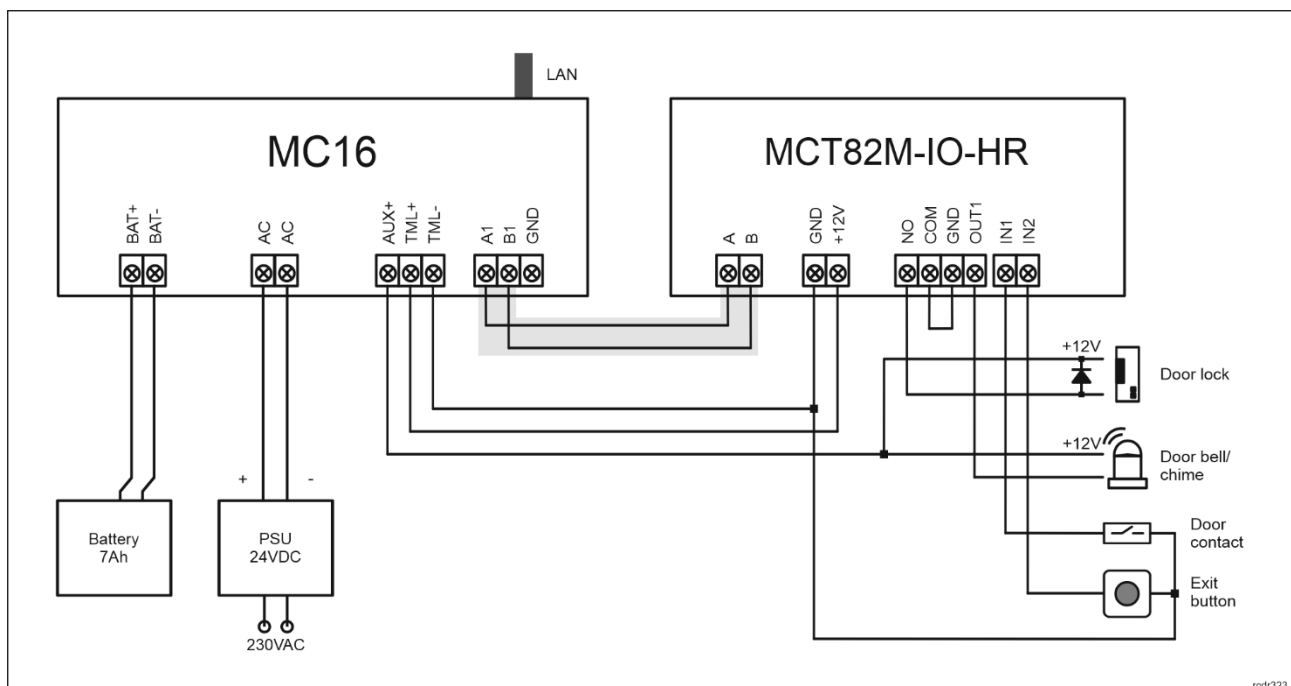


Fig. 7 Typical connection diagram for the terminal and MC16 access controller

4. CONFIGURATION

The purpose of low level configuration is to prepare device for operation in RACS 5 system. In case of RACS 5 v1 system the address of device must be configured by means of RogerVDM software or by manual addressing before connection to MC16 controller. While in RACS v2 system, low level configuration and addressing can be done with VISO v2 software during final configuration of the system. Therefore in RACS 5 v2 system the configuration from RogerVDM software and manual addressing are optional and during installation it is only necessary to properly connect the device to MC16 access controller.

Low level configuration (VISO v2)

In RACS 5 v2 system the reader can be installed at site without previous configuration. According to AN006 application note, its address and other settings can be configured from VISO v2 management software and during such configuration the access to its service contacts (fig. 4) is not required.

Low level configuration (RogerVDM)

Programming procedure with RogerVDM software (firmware 1.1.30.266 or newer):

1. Connect the device to RUD-1 interface (fig. 8) and connect the RUD-1 to computer's USB port.
2. Remove jumper from MEM contacts (fig. 4) if it is placed there.
3. Restart the device (switch power supply off and on or short RST contacts for a moment) and orange LED SYSTEM will pulsate. Then within 5 seconds place jumper on MEM contacts.
4. Start RogerVDM program, select *MCT* device, firmware version, *RS485* communication channel and serial port with RUD-1 interface.
5. Click *Connect*, the program will establish connection and will automatically display *Configuration* tab.
6. Enter unoccupied RS485 address in range of 100-115 and other settings according to requirements of specific installation.
7. Click *Send to Device* to update the configuration of device.
8. Optionally make a backup by clicking *Send to File...* and saving settings to file on disk.
9. Disconnect from RUD-1 interface and leave jumper on MEM contacts to enable further configuration of device from VISO v2 software or remove jumper from MEM contacts to block such remote configuration.

Programming procedure with RogerVDM software (firmware older than 1.1.30.266):

1. Connect the reader to RUD-1 interface (fig. 8) and connect the RUD-1 to computer's USB port.
2. Place jumper on MEM contacts (fig. 4).
3. Restart the reader (switch power supply off and on or short RST contacts for a moment) and orange LED SYSTEM will pulsate.
4. Start RogerVDM program, select *MCT* device, firmware version, *RS485* communication channel and serial port with RUD-1 interface.
5. Click *Connect*, the program will establish connection and will automatically display *Configuration* tab.
6. Enter unoccupied RS485 address in range of 100-115 and other settings according to requirements of specific installation.
7. Click *Send to Device* to update the configuration of device.
8. Optionally make a backup by clicking *Send to File...* and saving settings to file on disk.
9. Remove jumper from MEM contacts and disconnect device from RUD-1 interface.

Note: Do not read any cards when reader is configured with RogerVDM.

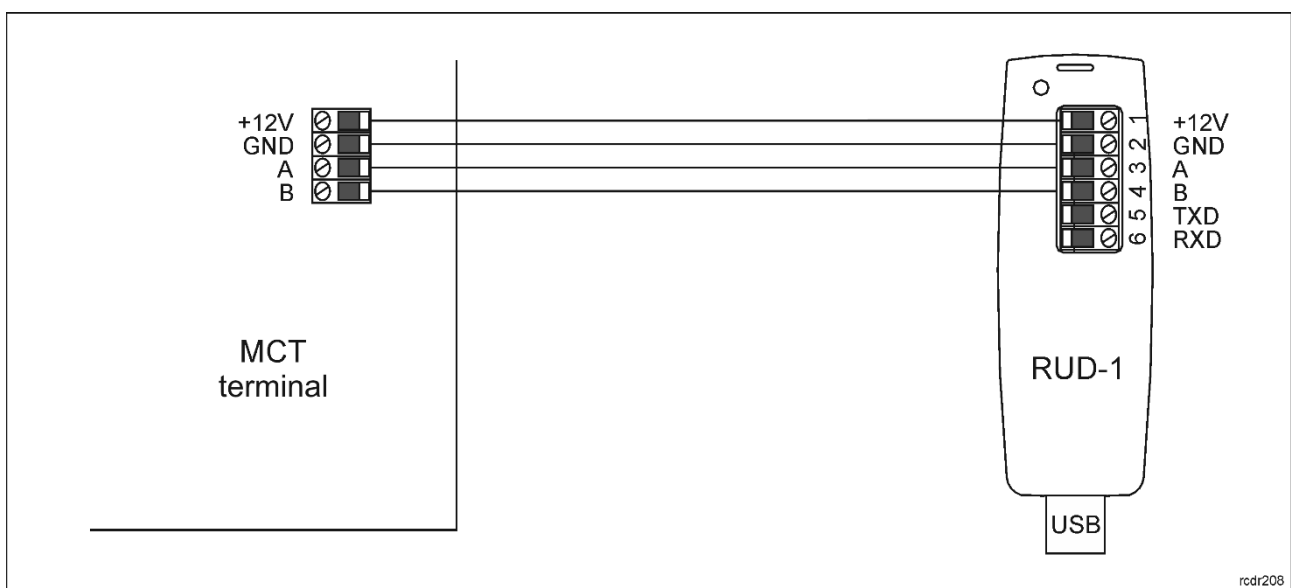


Fig. 8 Connection to RUD-1 interface (low level configuration)

Table 5. List of low level parameters	
Communication settings	
RS485 address	Parameter defines device address on RS485 bus. Range: 100-115. Default value: 100.
RS485 communication timeout [s]	Parameter defines delay after which device will signal lost communication with controller by means of its LED indicators. When set to 0 then signaling is disabled. Range: 0-64s. Default value: 20s.
RS485 encryption	Parameter enables encryption at RS485 bus. Range: [0]: No, [1]: Yes. Default value: [0]: No.
RS485 encryption key	Parameter defines key for encryption of communication at RS485 bus. Range: 4-16 ASCII characters.
Optical signalisation	
Backlight level [%]	Parameter defines backlight level. When set to 0 then backlight is disabled. Range: 0-100. Default value: 100.
Backlight switching off when no activity	Parameter enables backlight switching off after 20 s from the latest card reading or key pressing. The backlight is restored again when card or key is used. Range: [0]: No, [1]: Yes. Default value: [1]: Yes.
Acoustic signalisation	
Buzzer loudness level [%]	Parameter defines buzzer loudness level. When set to 0 then buzzer is disabled Range: 0-100. Default value: 100.
Short sound after card read	Parameter enables short sound (beep) generating by buzzer when card is read. Range: [0]: No, [1]: Yes. Default value: [1]: Yes.
Keypad settings	
Keypad activated	Parameter enables deactivation of keypad. Range: [0]: No, [1]: Yes. Default value: [1]: Yes.
Advanced settings	
Stop card/PIN reading when buffer full	Parameter enables to reject card/PIN reading by device till previous card/PIN is transmitted to controller. Range: [0]: No, [1]: Yes. Default value: [0]: No.
Card/PIN buffer timeout [s]	Parameter defines time for card/PIN storing in device buffer. When the time elapses the buffer is cleared even if card/PIN is not transmitted to controller. Range: 0-64. Default value: 10.
Card/PIN encryption	Parameter enables encryption of card number and PIN when transmitted by RS485 bus. Range: [0]: No, [1]: Yes. Default value: [0]: No.
AF type	Parameter defines authentication factor type returned by terminal. Default value: [16]: Number 40 bits.
Input types	
IN1, IN2, IN3	Parameter defines input type. Range: [1]: NO, [2]: NC, [3]: EOL/NO, [4]: EOL/NC, [5]: 2EOL/NO, [6]: 2EOL/NC, [7]: 3EOL/NO, [8]: 3EOL/NC, [9]: 3EOL/DW/NO, [10]: 3EOL/DW/NC. Default value: [1]: NO.
Input response times	
IN1, IN2, IN3 [ms]	Parameter defines minimal duration of pulse which is required to trigger the input. Range: 50-5000. Default value: 50.
Parametric (EOL) input resistances	
Tamper, Alarm A, Alarm B [Ohm]	Parameter defines resistor for parametric (EOL) inputs.
Output polarity	
OUT1, OUT2, REL1	Parameter defines polarity of output. Normal polarity means that the output by default is switched off while Reversed polarity means that

	the output by default is switched on. Range: [0]: Normal polarity, [1]: Reversed polarity. Default value: [0]: Normal polarity.
Comments	
DEV, CDI1, IN1, IN2, IN3, IN4 (Tamper), OUT1, OUT2, REL1,	Parameter defines any text or comment which corresponds to the object. It is later displayed in VISO program.
Serial card number (CSN) settings	
Serial number length (CSNL) [B]	Parameter defines the number of bytes from serial card number (CSN) which will be used to generate returned card number (RCN). RCN is the actual card number read by reader and it is created as sum of serial card number (CSN) and programmable card number (PCN).
Programmable card number (PCN) settings for Mifare Classic	
Sector type	Parameter defines sector type with programmable number (PCN). If the option [0]:None is selected then card returned number (RCN) will include only CSN and PCN will be discarded. Range: [0]: None, [1]: SSN, [2]: MAD. Default value: [0]: None.
Format	Parameter defines format of PCN. Range: [0]: BIN, [1]: ASCII HEX. Default value: [0]: BIN.
First byte position (FBP)	Parameter defines the position of the first byte for PCN in data block on card. Range: 0-15. Default value: 0.
Last byte position (LBP)	Parameter defines the position of the last byte for PCN in data block on card. Range: 0-15. Default value: 7.
Sector ID	Parameter defines sector number where PCN is stored. Range: 0-39. Default value: 1.
Application ID (AID)	Parameter defines application ID number (AID) which indicates sector where PCN number is stored. Range: 0-9999. Default value: 5156.
Block ID	Parameter defines block number where PCN is stored. Range: 0-2 for sectors 0-31 and 0-14 for sectors 32-39. Default value: 0.
Key type	Parameter defines key type used to access sector with PCN. Range: [0]: A, [1]: B, [2]: Roger. Default value: [0]: A.
Key	Parameter defines 6 bytes (12 HEX digits) key for accessing sector where PCN is stored.
Programmable card number (PCN) settings for Mifare Plus	
Sector type	Parameter defines sector type with programmable number (PCN). If the option [0]:None is selected then card returned number (RCN) will include only CSN and PCN will be discarded. Range: [0]: None, [1]: SSN, [2]: MAD. Default value: [0]: None.
Format	Parameter defines format of PCN. Range: [0]: BIN, [1]: ASCII HEX. Default value: [0]: BIN.
First byte position (FBP)	Parameter defines the position of the first byte for PCN in data block on card. Range: 0-15. Default value: 0.
Last byte position (LBP)	Parameter defines the position of the last byte for PCN in data block on card. Range: 0-15. Default value: 7.
Sector ID	Parameter defines sector number where PCN is stored. Range: 0-39. Default value: 1.
Application ID (AID)	Parameter defines application ID number (AID) which indicates sector where PCN number is stored. Range: 0-9999. Default value: 5156.
Block ID	Parameter defines block number where PCN is stored. Range: 0-2 for sectors 0-31 and 0-14 for sectors 32-39. Default value: 0.
Key type	Parameter defines key type used to access sector with PCN. Range: [0]: A, [1]: B. Default value: [0]: A.

Programmable card number (PCN) settings for Mifare Desfire	
Sector type	Parameter defines sector type with programmable number (PCN). If the option [0]:None is selected then card returned number (RCN) will include only CSN and PCN will be discarded. Range: [0]: None, [1]: Desfire file. Default value: [0]: None.
Format	Parameter defines format of PCN. Range: [0]: BIN, [1]: ASCII HEX. Default value: [0]: BIN.
First byte position (FBP)	Parameter defines the position of the first byte for PCN in data block on card. Range: 0-15. Default value: 0.
Last byte position (LBP)	Parameter defines the position of the last byte for PCN in data block on card. Range: 0-15. Default value: 7.
Application ID (AID)	Parameter defines application ID number (AID) which indicates sector where PCN number is stored. Range: 0-9999. Default value: F51560.
File ID (FID)	Parameter defines file identifier in AID. Range: 0-32 for Desfire EV1 and 0-16 for Desfire EV0. Default value: 0.
Communication protection level	Parameter defines encryption method for communication between card and reader. Range: [0]: Plain, [1]: Data authentication by MAC, [2]: Full encryption. Default value: [0]: Plain.
Key number	Parameter defines application key number used for file read. Range: 0-13. Default value: 0.
Key type	Parameter defines encryption key type for Desfire file. Range: [0]: TDES Native, [1]: TDES Standard, [2]: 3-KTDES, [3]: AES128. Default value: [0]: TDES Native.
Key	Parameter defines access key for Desfire file with PCN. 3-KTDES key is 24 bytes (48 HEX digits), TDES and AES keys are 16 bytes (32 HEX digits).

Manual addressing

Manual addressing procedure enables configuration of new RS485 address with all other settings unchanged.

Manual addressing procedure (firmware 1.1.30.266 or newer):

1. Remove all connections from A and B lines.
2. Remove jumper from MEM contacts (fig. 4) if it is placed there.
3. Restart the device (switch power supply off and on or short RST contacts for a moment) and orange LED SYSTEM will pulsate. Then within 5 seconds place jumper on MEM contacts.
4. Enter 3 digits of RS485 address in range of 100-115 with any MIFARE card.
5. Leave jumper on MEM contacts to enable further configuration of device from VISO v2 software or remove jumper from MEM contacts to block such remote configuration.
6. Restart the device.

Manual addressing procedure (firmware older than 1.1.30.266):

1. Remove all connections from A and B lines.
2. Place jumper on MEM contacts (fig. 4).
3. Restart the device (switch power supply off and on or short RST contacts for a moment) and orange LED SYSTEM will pulsate.
4. Enter 3 digits of RS485 address in range of 100-115 with any MIFARE card.
5. Remove jumper from MEM contacts and restart the device.

Readers without keypad can be addressed with multiple card readings where the N number of readings emulates digit of the address. Three series of readings with any MIFARE proximity card are necessary to set the address. After each series wait for two beeps and proceed with the next digit. Zero digit is emulated with 10 readings.

Example:

Programming of ID=101 address with card readings:

1. Read card 1 time and wait for two beeps.
2. Read card 10 times and wait for two beeps.
3. Read card 1 time and wait for two beeps.
4. Wait till reader is restarted with the new address.

Memory reset

Memory reset procedure resets all settings to factory default ones including ID=100 address.

Memory reset procedure (firmware 1.1.30.266 or newer):

1. Remove all connections from A and B lines.
2. Remove jumper from MEM contacts (fig. 4) if it is placed there.
3. Restart the device (switch power supply off and on or short RST contacts for a moment) and orange LED SYSTEM will pulsate. Then within 5 seconds place jumper on MEM contacts.
4. Read any MIFARE card 11 times.
5. Wait till device confirms reset with long acoustic signal.
6. Leave jumper on MEM contacts to enable further configuration of device from VISO software and disconnect device from RUD-1 interface.
7. Restart the device.

Memory reset procedure (firmware older than 1.1.30.266):

1. Remove all connections from A and B lines.
2. Place jumper on MEM contacts (fig. 4).
3. Restart the device (switch power supply off and on or short RST contacts for a moment) and orange LED SYSTEM will pulsate.
4. Read any MIFARE card 11 times.
5. Wait till device confirms reset with long acoustic signal.
6. Remove jumper from MEM contacts and restart the device.

High level configuration (VISO)

The purpose of high level configuration is to define logical functioning of the terminal which communicates with the MC16 access controller and it depends on applied scenario of operation. The example of access control system configuration is given in AN006 application note while hotel system configuration is explained in AN033 application note. Both notes are available at www.roger.pl.

5. FIRMWARE UPDATE

The firmware of device can be changed to newer or older version. The update requires connection to computer with RUD-1 interface and starting RogerVDM software. The latest firmware file is available at www.roger.pl.

Firmware update procedure:

1. Connect the reader to RUD-1 interface (fig. 9) and connect the RUD-1 to computer's USB port.
2. Place jumper on FDM contacts (fig. 4).
3. Restart the device (switch power supply off and on or short RST contacts for a moment).
4. Start RogerVDM program and in the top menu select *Tools* and then *Update firmware*.
5. In the opened window select device type, serial port with RUD-1 interface and path to firmware file (*.hex).
6. Click *Update* to start firmware upload with progress bar in the bottom.
7. When the update is finished, disconnect from RUD-1 interface and remove jumper from FDM contacts. Additionally it is recommended to start memory reset procedure.

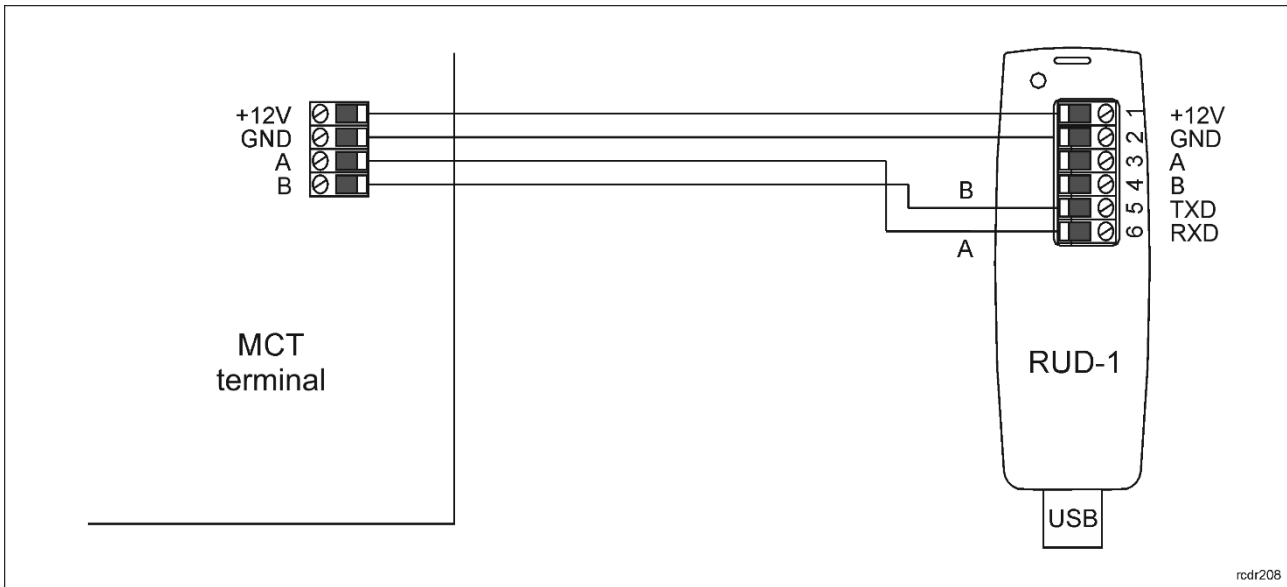


Fig. 9 Connection to RUD-1 interface (firmware update)

6. SPECIFICATION

Table 6. Specification	
Nominal supply voltage	12VDC
Nominal current consumption	~60 mA
Inputs	Three parametric inputs (IN1..IN3) internally connected to the power supply plus through a 5.6kΩ resistor. Approx. 3.5V triggering level for NO and NC inputs.
Relay output	Relay output (REL1) with single NO/NC contact, 30V/1.5A DC/AC max. load
Transistor outputs	Two (IO1, IO2) open collector outputs, 15VDC/150mA max. load
Tamper protection	Enclosure opening reported to access controller
Identification methods	ISO/IEC14443A MIFARE Ultralight, Classic, DESFire (EV1, EV2, EV3) and Plus proximity cards
Reading range	Up to 7 cm for MIFARE Ultralight, Classic Up to 3 cm for MIFARE DESFire (EV1, EV2, EV3), Plus
RS485 distances	Up to 1200 m between controller and terminal
IK	MCT82M-IO-HR: IK06 MCT82M-IO-HR-F: IK08
IP	IP30
Operating environment	Indoor general conditions, temperature: +5°C to +40°C, relative humidity: 10 to 75% (no condensation)
Dimensions H x W x D	MCT82M-IO-HR: 85 x 85 x 22(37) mm MCT82M-IO-HR-F: 105 x 105 x 31 mm
Weight	~100g
Compliance	CE, RoHS
Manufacturer's warranty	36 months

7. ORDERING INFORMATION

Table 7. Ordering information

MCT82M-IO-HR	Hotel room entry terminal; MIFARE Ultralight/Classic/Plus/DESFire (EV1, EV2, EV3) reader; 4 programmable LEDs; door bell button; built-in IO lines; 12 V supply; glass front panel; QUADRUS series design
MCT82M-IO-HR-F	Hotel room entry terminal; MIFARE Ultralight/Classic/Plus/DESFire (EV1, EV2, EV3) reader; 4 programmable LEDs; door bell button; built-in IO lines; 12 V supply; glass front panel; QUADRUS series design; flush type enclosure
RUD-1	Portable USB-RS485 communication interface dedicated to ROGER access control devices.

8. PRODUCT HISTORY

Table 8. Product history		
Version	Date	Description
MCT82M-IO-HR v1.0	06/2018	The first commercial version of product



This symbol placed on a product or packaging indicates that the product should not be disposed of with other wastes as this may have a negative impact on the environment and health. The user is obliged to deliver equipment to the designated collection points of electric and electronic waste. For detailed information on recycling, contact your local authorities, waste disposal company or point of purchase. Separate collection and recycling of this type of waste contributes to the protection of the natural resources and is safe to health and the environment. Weight of the equipment is specified in the document.

Contact:
Roger sp. z o.o. sp.k.
82-400 Sztum
Gościszewo 59
Tel.: +48 55 272 0132
Fax: +48 55 272 0133
Tech. support: +48 55 267 0126
E-mail: support@roger.pl
Web: www.roger.pl