

Roger Access Control System

PRTxxEM series readers Installation Manual

Firmware version: x.35.192 and newer

Document version: Rev. D



This document contains minimum information that is necessary for initial setup and installation of the device. The detailed description of configuration parameters and functionalities is specified in respective Operating manual available at www.roger.pl.

INTRODUCTION

The PRTxxEM reader is designed for standalone operation as access control terminal and it can also be used in RACS 4 and RACS 5 systems where it can function as slave reader connected to master access controller via RACS CLK/DTA bus. Alternatively, the reader can be installed in third party systems and connected via Wiegand, Magstripe or RS232 interfaces. Factory new reader is configured with Simple Standalone operating mode and is equipped with programmed MASTER card which can be used for manual programming of users with access rights at the reader. In such scenario it is usually not necessary to modify factory default settings. Detailed configuration of device can be done with computer (RARC software) or manually with reader's keypad or proximity card. If reader is configured from computer then connection of RUD-1 interface is necessary.

CONFIGURATION WITH RARC PROGRAM

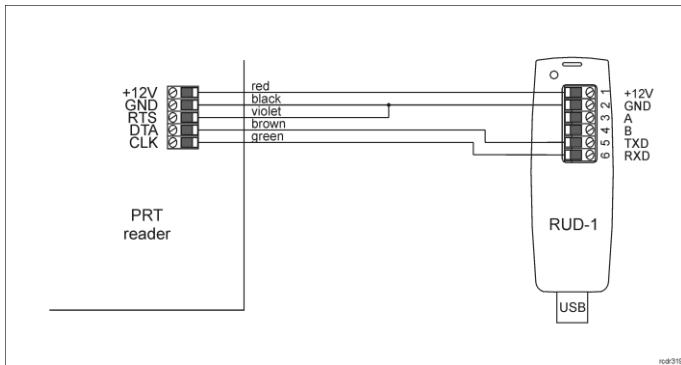


Fig. 1 Connection of PRTxxEM reader to RUD-1 interface

Programming procedure:

1. Connect the reader to RUD-1 interface (fig. 1) and connect the RUD-1 to computer's USB port.
2. Start RARC program, in the top menu select *Options->Port* and indicate serial port with RUD-1 interface.
3. In the top menu select *Connection->Connect* and in the opened window select *RS232* and *Start* button to establish connection with the reader.
4. Depending on requirements of specific installation configure operating mode, input/output functions, options and users with access rights at the reader.
5. Click *Upload to reader* to update the configuration of reader.
6. Optionally make a backup by clicking in the top menu *File->Save configuration settings to file...*
7. When configuration is finished then in top menu of RARC program select *File->Exit*.
8. Disconnect reader from RUD-1 interface.

MANUAL CONFIGURATION OF READER

PRTxxEM reader can be configured in regard of its options and functions using programming commands and INSTALLER proximity card or PIN which can be configured within Memory reset procedure. The list of commands and their descriptions are given in the Operating Manual of PRTxxEM readers which is available at www.roger.pl. However the recommended method is configuration with RARC software.

MANUAL CONFIGURATION OF USERS

PRTxxEM reader can be configured with up to 120 users, each with proximity card and PIN using included MASTER card. Based on reader default settings, user can be granted access by activation of REL1 relay. New MASTER card and PIN can be configured within Memory reset procedure.

The list of frequently used programming commands:

- [11][PIN][#] – Add new user with PIN.
 [12][Card 1][Card 2]...[Card N][#] – Add one or more new users with cards.
 [20] – Delete all users except for MASTER and INSTALLER.
 [21][PIN][#] – Delete entered PIN.
 [22][Card][#] – Delete indicated card.

[24][YYMMDDhhmm] – Configure date and time where YY – year (00-99), MM – month (01-12), DD – day (01-31), hh – hour (00-23), mm – minute (00-59).

[#] – Exit from User Programming Mode.

Example of user(s) enrolment with card (reader with keypad)

1. Read MASTER card or enter MASTER PIN (if available) and the reader will switch LED OPEN (green) and LED STATUS (red) on to confirm that it entered programming mode.
2. Press 1 and 2 on reader's keypad and LED SYSTEM (orange) will pulsate.
3. Read one or more cards to program them into reader.
4. Press # key to finish the command and press # key again to exit programming mode. By default LED STATUS (red) will be switched on.

In case of readers without keypad the programming command is entered with multiple card readings. In this method, N number of MASTER card readings emulates digit. After each series of readings wait for two beeps and proceed with the next digit. Zero digit is emulated with 10 readings.

Example of user(s) enrolment with card (reader without keypad):

1. Read MASTER card and the reader will switch LED OPEN (green) and LED STATUS (red) on to confirm that it entered programming mode.
2. Read MASTER card 1 time and wait for two beeps.
3. Read MASTER card 2 times and wait for two beeps. LED SYSTEM (orange) will pulsate.
4. Read one or more cards to program them into reader.
5. Wait 10 s to finish the command and wait another 60 s or read MASTER card 12-times to exit programming mode. By default LED STATUS (red) will be switched on.

Note: Reader rejects programming of already programmed card or PIN and then sounds error signal (long beep).

MEMORY RESET PROCEDURE

Memory reset procedure enables configuration of operating mode, enrolment of MASTER and INSTALLER users and it resets all other settings of reader to factory default ones. MASTER user is used for manual programming of users while INSTALLER user is used for manual programming of reader.

Memory reset procedure:

1. Remove all connections from CLK, IN1 and RTS lines.
2. Connect CLK and IN1 lines.
3. Restart the reader (switch power supply off and on or short RST contacts for a moment).
4. When LED OPEN (green) pulsates and reader makes continuous sound then disconnect CLK and IN1 lines.
5. When LED SYSTEM (orange) pulsates enter 3 digits of operating mode with reader keypad or with any EM125kHz proximity card e.g. [030] for Simple standalone, [000] for RACS with ID=0 address, etc.
6. Enter new MASTER PIN (3-6 digits) and press # key or skip this step and proceed to the next one.
7. Read any EM125kHz proximity card – it will be new MASTER card or press # and proceed to the next step.
8. Enter new INSTALLER PIN (3-6 digits) and press # key or skip this step and proceed to the next one.
9. Read another EM125kHz proximity card – it will be new INSTALLER card or press # to skip this step.

In case of readers without keypad the programming command is entered with multiple card readings. In this method, N number of any EM125kHz card readings emulates digit. After each series of readings wait for two beeps and proceed with the next digit. Zero digit is emulated with 10 readings.

Example of [030] operating mode programming with multiple card readings:

1. Read card 10 times and wait for two beeps.
2. Read card 3 times and wait for two beeps.
3. Read card 10 times and wait for two beeps.

THE APPLICATION OF READER IN RACS SYSTEMS

In RACS 4 and RACS 5 access control systems, PRTxxEM series reader is operated as slave terminal connected to master access controller. In such scenario the configuration of readers is limited to [000]..[003] operating mode depending on required address on RACS CLK/DTA bus. The mode can be configured with RARC software or within Memory reset procedure. In case of PRTxxEM operated as terminal any users, input/output functions and other standalone mode options are not configured.

FIRMWARE UPDATE

The update requires connection of reader to computer with RUD-1 interface (fig. 1) and starting RogerISP software. The latest firmware file is available at www.roger.pl.

Firmware update procedure:

1. Connect the reader to RUD-1 interface (fig. 1) and connect the RUD-1 to computer's USB port.
2. Place jumper on FDM contacts (fig. 2).
3. Restart the reader (switch power supply off and on or short RST contacts for a moment).
4. Start RogerISP program.
5. Select serial port with RUD-1 interface and *Device Programmer* option.
6. Specify path to firmware file (*.hex).
7. Click *Program* and proceed according to displayed messages.
8. Remove jumper from FDM contacts and restart the reader.

Note: After firmware update it may be necessary to start Memory reset procedure.

APPENDIX

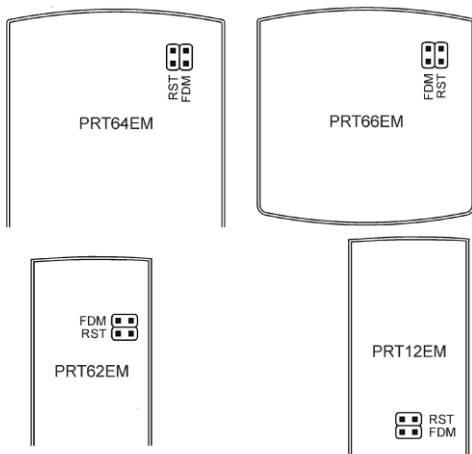


Fig. 2 Service contacts

Screw terminal	Wire colour	Description
12V	Red	Supply plus
GND	Black	Ground
IN1	Yellow	IN1 input line
IN2	Blue	IN2 input line
RTS	Violet	RS232 interface RTS line
CLK	Green	CLK line
DTA	Brown	DTA line
TMP	White	Tamper switch
TMP	Grey	Tamper switch
NC	Grey-pink	REL1 relay output (NC)
COM	Red-blue	REL1 relay common terminal
NO	Pink	REL1 relay output (NO)

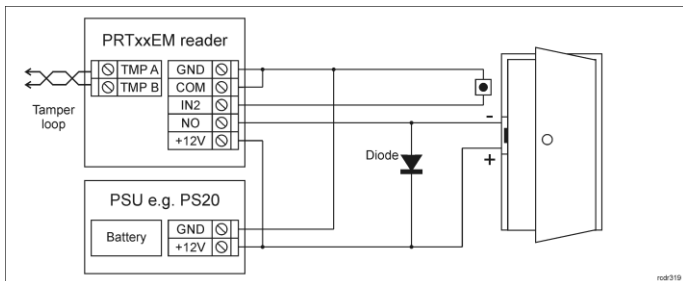


Fig. 3 Connection of door lock and exit button to PRTxxEM reader – Simple standalone mode

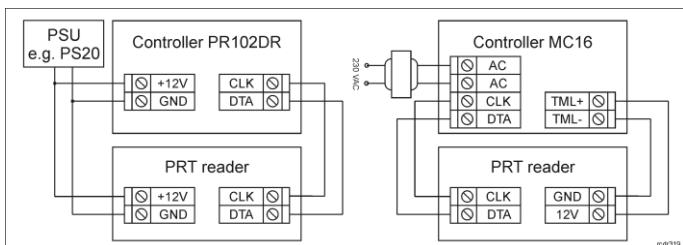
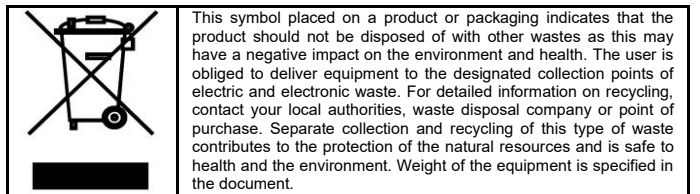


Fig. 4 Connection of reader to exemplary RACS 4 controller (PR102DR) and RACS 5 controller (MC16) – terminal (online) mode

Nominal supply voltage	12VDC
Nominal current consumption	PRT12EM: ~50 mA PRT64EM: ~50 mA PRT12EM-BK: ~45 mA PRT62EM/PRT66EM: ~45 mA PRT64EM-VP: ~85 mA
Inputs	Two (IN1..IN2) NO inputs, approx. 3.5 triggering level
Relay output	Relay output (REL1) with single NO/NC contact, 30V/1.5A DC/AC max. load
Tamper protection	Isolated 50mA/24V contacts, shorted when enclosure is closed
Proximity cards	EM 125 kHz UNIQUE according to EM4100/4102
Reading range	Up to 12 cm for PRT62EM, up to 8 cm for PRT64EM-VP and up to 15 cm for remaining readers. Note: Reading distance is defined for good quality proximity cards placed in optimal position against the reader. For all readers except for PRT64EM-VP the optimal position for card reading is in the front of the device (card surface parallel to the front). For PRT64EM-VP the optimal position for card reading is from the left and right side of the device (card surface perpendicular to the front).
Distances	150m maximal cable length for RACS CLK/DTA bus between controller and reader
IP Code	PRT12EM/PRT62EM/PRT64EM/PRT66EM: IP65 Note 1: The IP65 rating is guaranteed if the bottom of the housing is tightly adhered to the surface on which the device is installed. It is the installer's responsibility to seal the space between the bottom of the housing and the surface on which the device is mounted
Operating environment	Outdoor general conditions, temperature: -25°C to +60°C, relative humidity: 10 to 95% (no condensation)
Dimensions H x W x D and weight	PRT12EM: 152,5 x 46 x 23(35) mm; 150g PRT62EM: 100 x 45 x 25 mm; 100g PRT64EM: 115 x 80 x 35 mm; 120g PRT64EM-VP: 115 x 80 x 35 mm; 470g PRT66EM: 85 x 85 x 27 mm; 120g
Compliance	CE, RoHS



Contact:
Roger Sp. z o. o. sp. k.
 82-400 Sztum
 Gościszewo 59
 Tel.: +48 55 272 0132
 Fax: +48 55 272 0133
 Tech. support: +48 55 267 0126
 E-mail: biuro@roger.pl
 Web: www.roger.pl