

Roger Access Control System AX-12 Installation Manual

Firmware version: n/a
Document version: Rev. C



INTRODUCTION

AX-12 is protection module dedicated to RS485 bus exposed to high electromagnetic interferences. AX-12 is designed for installation in RACS 5 / RACS 4 systems and it should not be applied in other systems.

APPENDIX

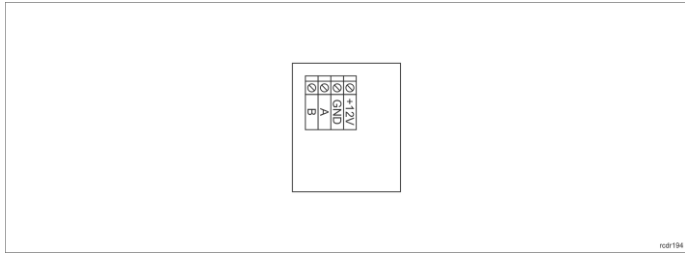


Fig. 1 AX-12 module

Table 1. Screw terminals	
Name	Description
12V	12VDC power supply
GND	Ground
A	RS485 bus, line A
B	RS485 bus, line B

Table 2. Specification	
Supply voltage	Nominal 12VDC, min./max. range 10-15VDC
Current consumption (average)	~5 mA
Clamping voltage	-0.7 - +8 VDC
IP Code	IP20
Environmental class (according to EN 50133-1)	Class I, indoor general conditions, temperature: +5°C to +40°C, relative humidity: 10 to 95% (no condensation)
Dimensions H x W x D	35 x 40 x 15 mm
Weight	~5g
Certificates	CE

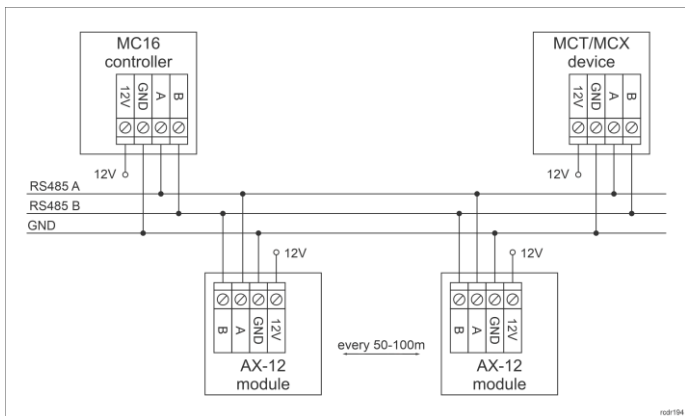


Fig. 2 Connection of AX-12 in RACS 5 system

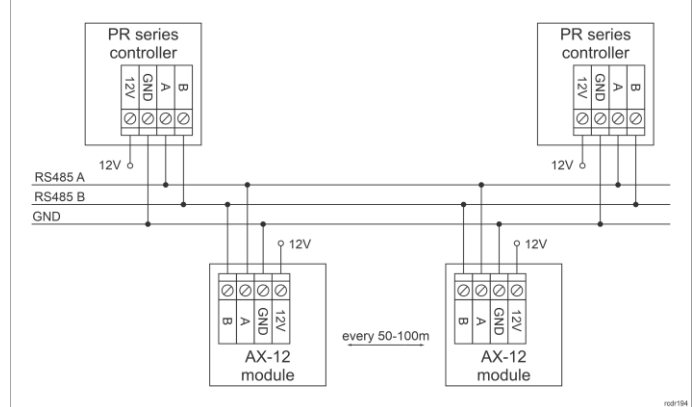
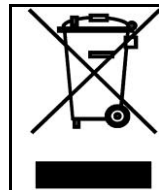


Fig. 3 Connection of AX-12 in RACS 4 system



This symbol placed on a product or packaging indicates that the product should not be disposed of with other wastes as this may have a negative impact on the environment and health. The user is obliged to deliver equipment to the designated collection points of electric and electronic waste. For detailed information on recycling, contact your local authorities, waste disposal company or point of purchase. Separate collection and recycling of this type of waste contributes to the protection of the natural resources and is safe to health and the environment. Weight of the equipment is specified in the document.

Contact:
Roger Sp. z o. o. sp. k.
 82-400 Sztum
 Gościszewo 59
 Tel.: +48 55 272 0132
 Fax: +48 55 272 0133
 Tech. support: +48 55 267 0126
 E-mail: support@roger.pl
 Web: www.roger.pl