

# Roger Access Control System 5

Application note no. 038

Document version: Rev. A

## Migration from RACS 4 to RACS 5

### *Introduction*

There is a possibility to migrate from older RACS 4 access control system to newer RACS 5 access control system. Such migration requires modifications of the system on the level of hardware and software. In most cases RACS 4 cabling and devices can still be used in RACS 5 system.

### *Hardware*

The migration on hardware level consists in installation of multidoor MC16-PAC-X access controllers instead of CPR devices and/or UT interfaces. The exact model of the controller depends on the number of controlled doors (max. 16). MC16 controller with proper license for doors can be mounted inside ME-14-40VA metal enclosure with transformer.

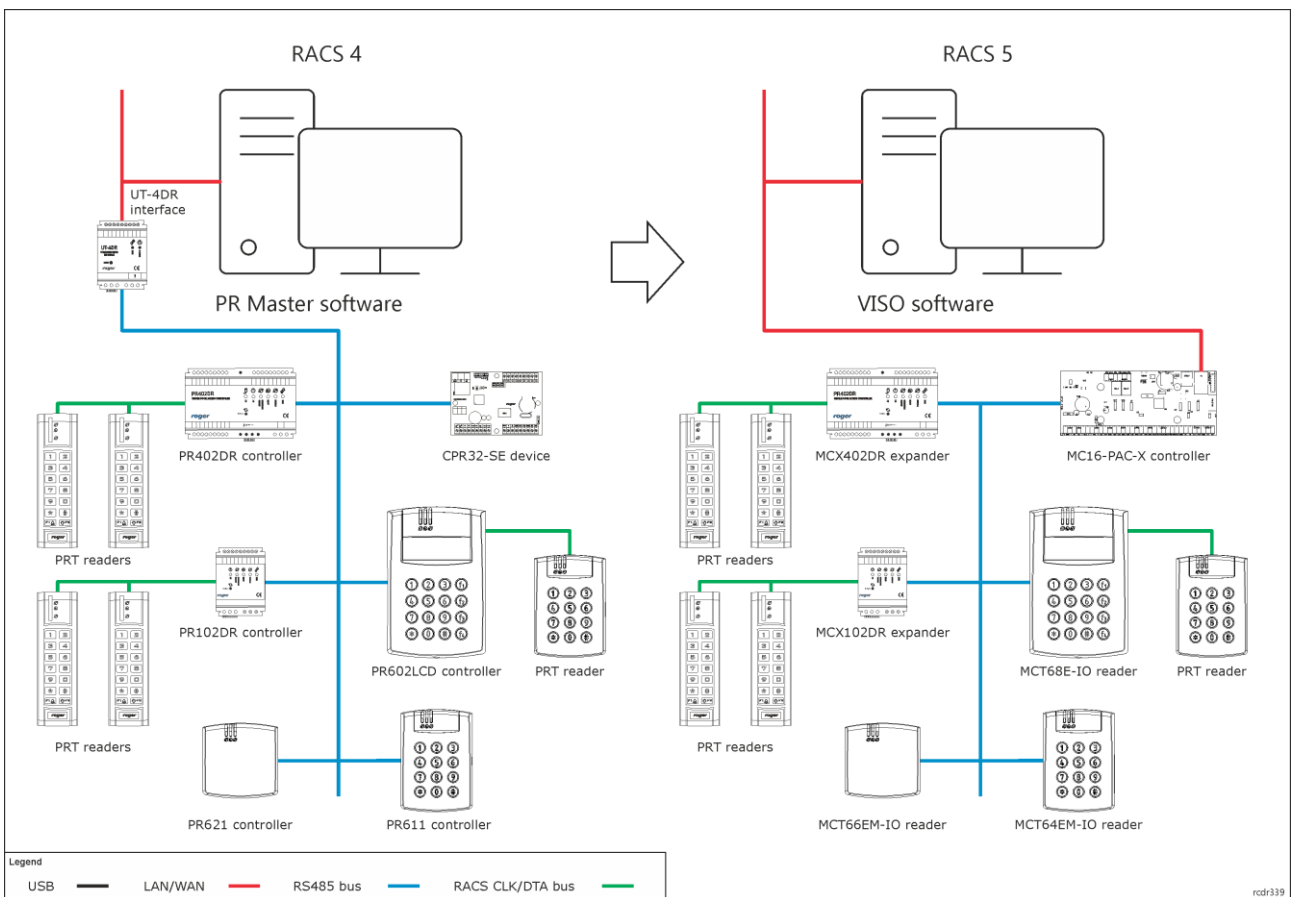
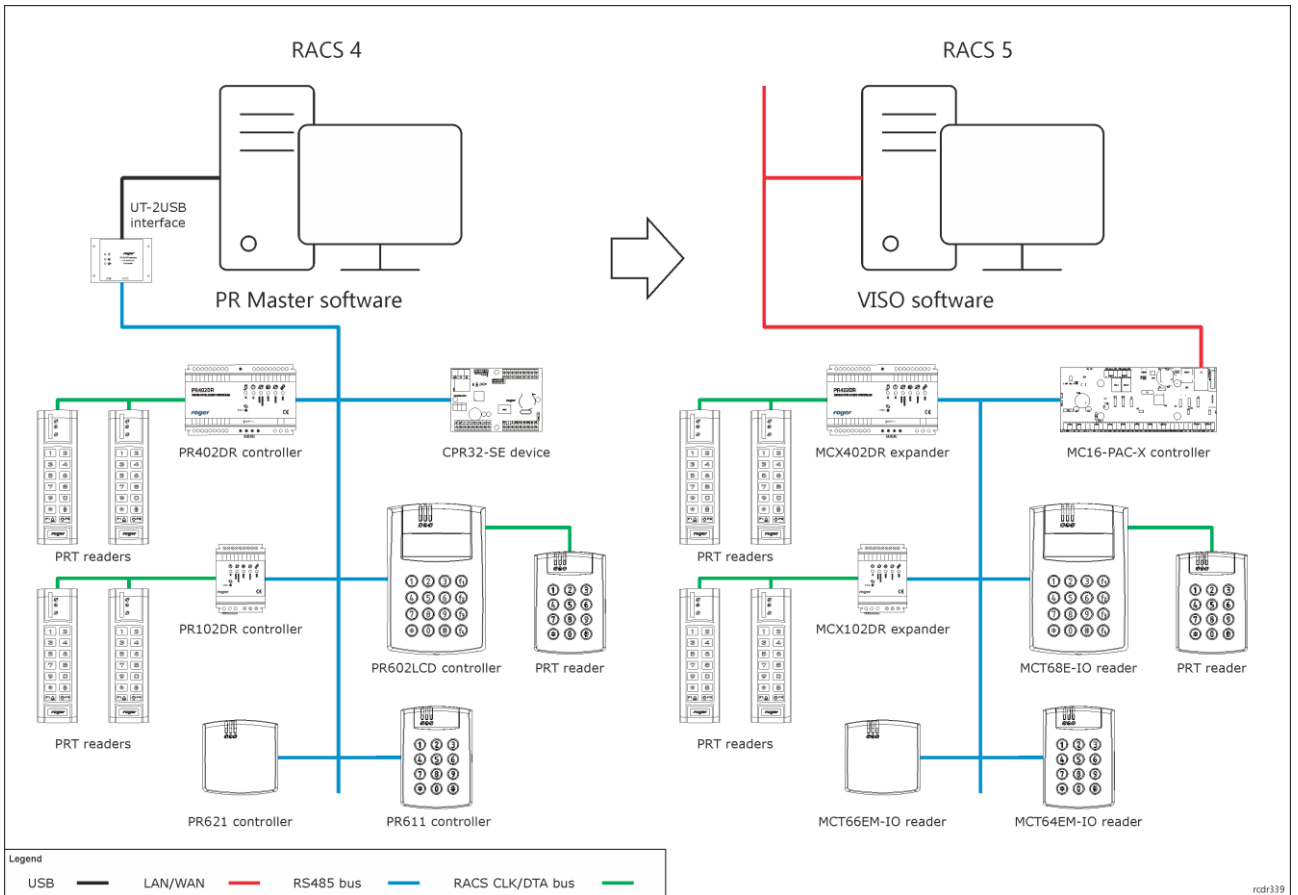
In the next step new firmware which is available at [www.roger.pl](http://www.roger.pl) must be uploaded to all PRxx1 and PRxx2 series controllers by means of RogerISP program. After such firmware upload they become MCT readers or MCX expanders. PRT readers do not require any modifications. RS485 and RACS CLK/DTA communication buses can still be used in RACS 5 system.

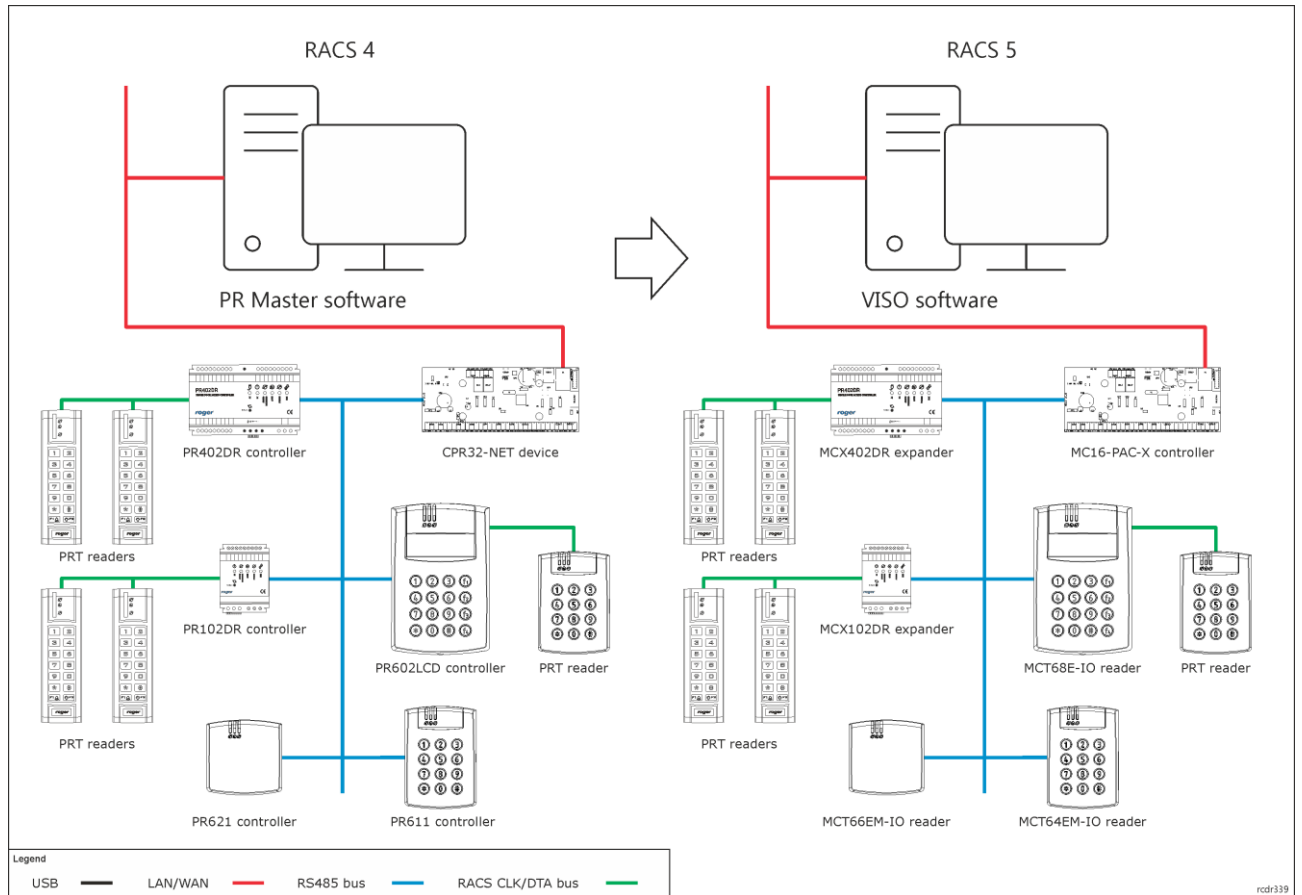
---

Note: In RACS 4 system there can be installed up to 32 controllers of PR series in single subsystem with common RS485 bus while MC16 controller can operate with up to 16 devices on its RS485 bus. Therefore in case of migration it might be necessary to divide or install additional RS485 bus and use more than one MC16 controller per RACS 4 subsystem.

---

### *Example migration schematics*





**RACS 4 devices in RACS 5 system**

RACS 4 device	RACS 5 equivalent	Notes
<b>Communication interfaces</b>		
UT-2USB	-	No application in RACS 5.
UT-4/UT-4DR	-	No application in RACS 5.
<b>Network controllers</b>		
CPR32-SE	-	No application in RACS 5.
CPR32-NET	-	No application in RACS 5.
<b>PRxx1 series access controllers</b>		
PR301	-	No application in RACS 5.
PR311SE	MCT12EM-IO	New firmware upload is required.
PR311-SE-BK	MCT12EM-BK-IO	New firmware upload is required.
PR411DR	MCX402DR	New firmware upload is required.
PR611	MCT64EM-IO	New firmware upload is required.
PR621	MCT66EM-IO	New firmware upload is required.
<b>PRxx2 series access controllers</b>		
PR302	MCT32E-IO	New firmware upload is required.
PR312EM	MCT12E-IO	New firmware upload is required.
PR312EM-BK	MCT12E-BK-IO	New firmware upload is required.
PR312MF	MCT12MF-IO	New firmware upload is required.

PR312MF-BK	MCT12MF-BK-IO	New firmware upload is required.
PR402	MCX402	New firmware upload is required.
PR402DR	MCX402DR	New firmware upload is required.
PR602LCD	MCT68E-IO	New firmware upload is required.
PR602LCD-DT	MCT68ME-IO	New firmware upload is required.
PR612	MCT64E-IO	New firmware upload is required.
PR622	MCT66E-IO	New firmware upload is required.
Expanders		
XM-2/XM-2DR	-	No application in RACS 5.
XM-8	-	No application in RACS 5.
Readers		
PRTxx series	PRTxx series	No modifications is required.
RFT1000	RFT1000	New firmware upload is required.

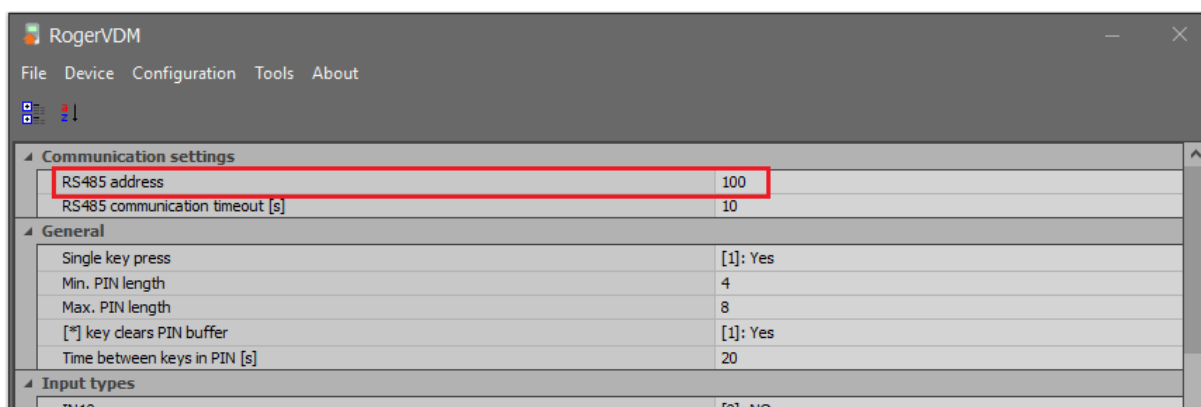
## Software

### Low level configuration

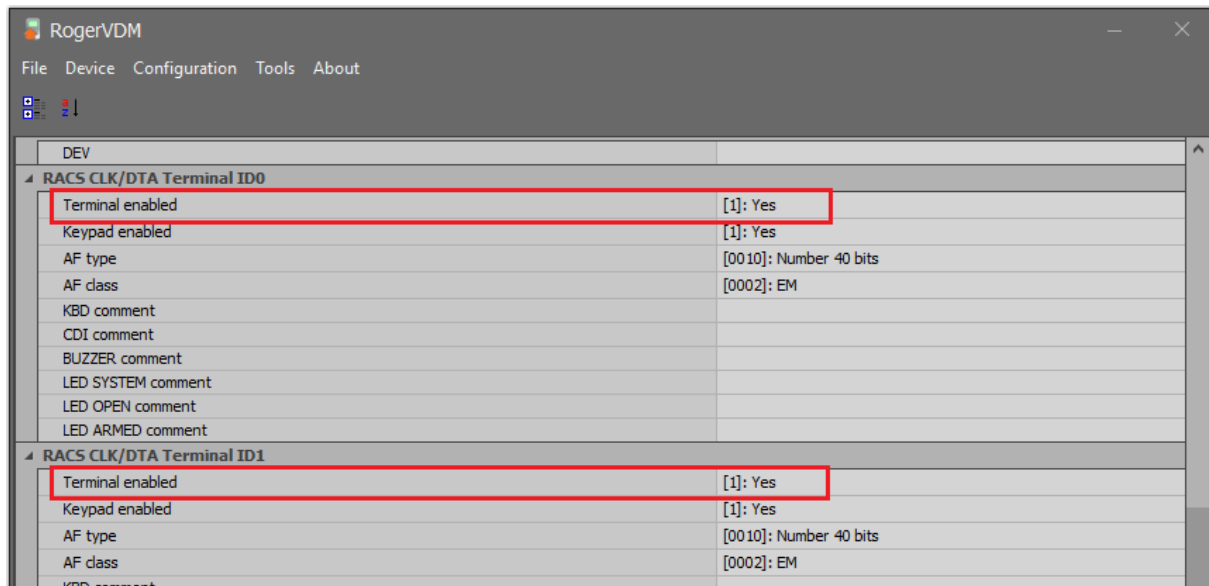
Configure MC16 controllers according to their manuals mainly in regard of IP address and communication key.

When PRxx1 and PRxx2 series access controllers are uploaded with new firmware according to their manuals and they become MCT/MCX devices then it is necessary to make their low level configuration by means of RogerVDM software. Such low level configuration prepares devices for their operation in RACS 5 system.

All MCT terminals and MCX expanders connected to RS485 bus of MC16 controller must be assigned with unique addresses in range of 100-115.



Additionally MCT and MCX devices which are connected with PRT readers must be enabled for RACS CLK/DTA communication.



### High level configuration

High level configuration which covers among others users and their access rights is performed by means of VISO software. Quick system start including database and service setup is explained in AN006 application note which is available at [www.roger.pl](http://www.roger.pl). In case of systems with more than 20 doors it is recommended to apply server database according to AN017 application note.

The functional logic of RACS 5 system is entirely different than RACS 4 one. Therefore it is not possible to export the whole configuration from PR Master (RACS 4) software and then import it into VISO (RACS 5) software. Nevertheless it is possible to export users with their identifiers (cards, PINs), Groups, T&A Ids, photos and comments by means of XML or CSV file and import them into VISO software. In order to transfer users:

- Start PR Master program.
- In the top menu select *File*, then *Export system settings to file...* and save file in *Config files (\*.xml)* format or in the top menu select *System*, then *Users* and in the opened window select *Export* button to save file in CSV format.
- Start VISO program.
- In the top menu select *System* and then *Import...*
- Select *XML (PR Master)* or *CSV (PR Master)* source and indicate your previously exported file.
- Proceed with user import creator in VISO software.

**Contact:**  
**Roger sp. z o.o. sp.k.**  
**82-400 Sztum**  
**Gościszewo 59**  
**Tel.: +48 55 272 0132**  
**Fax: +48 55 272 0133**  
**Tech. support: +48 55 267 0126**  
**E-mail: [support@roger.pl](mailto:support@roger.pl)**  
**Web: [www.roger.pl](http://www.roger.pl)**