

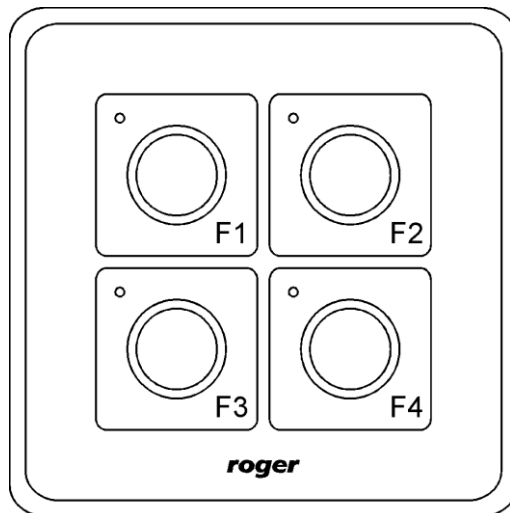
*Roger Access Control System*

# Installation guide for HRT82PB push button panel

*Firmware version: n/a*

*Hardware version: 1.0*

*Document version: Rev. B*



redr201

# 1. INTRODUCTION

This manual contains minimum information that is necessary to properly install device.

# 2. DESCRIPTION AND SPECIFICATION

HRT82PB push button panel can be connected to controller inputs/outputs and due to its universal construction it can be used both with Roger and third party devices equipped with NO inputs, transistor (open collector) outputs and/or relay outputs. The panel enables activation of various functionalities and states with its buttons.

HRT82PB front panel includes four LED indicators and four push buttons

<b>Table 1. Specification</b>	
Supply voltage (for LED indicators)	Nominal 12VDC, min./max. range 10-15VDC
Environmental class (acc. to EN 50131-1)	Class II, indoor general conditions, temperature: -10°C- +50°C, relative humidity: 10 to 95% (no condensation)
IP code	IP41
Dimensions HxWxD	85 x 85 x 26 mm
Weight	~ 100g
Certificates	CE

# 3. INSTALLATION

## 3.1 Terminals and connection diagram

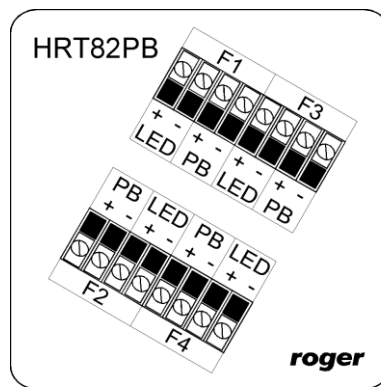


Fig. 1 HRT82PB push button panel

<b>Table 2. HRT82PB terminals</b>			
Term.	Description	Term.	Description
F1		F2	
LED+	F1 LED + terminal, +12VDC	LED+	F2 LED + terminal, +12VDC
LED-	F1 LED – terminal, GND	LED-	F2 LED – terminal, GND
PB+	F1 button contact (SPST-NO)	PB+	F2 button contact (SPST-NO)
PB-	F1 button contact (SPST-NO)	PB-	F2 button contact (SPST-NO)

F3		F4	
LED+	F3 LED + terminal, +12VDC	LED+	F4 LED + terminal, +12VDC
LED-	F3 LED – terminal, GND	LED-	F4 LED – terminal, GND
PB+	F3 button contact (SPST-NO)	PB+	F4 button contact (SPST-NO)
PB-	F3 button contact (SPST-NO)	PB-	F4 button contact (SPST-NO)

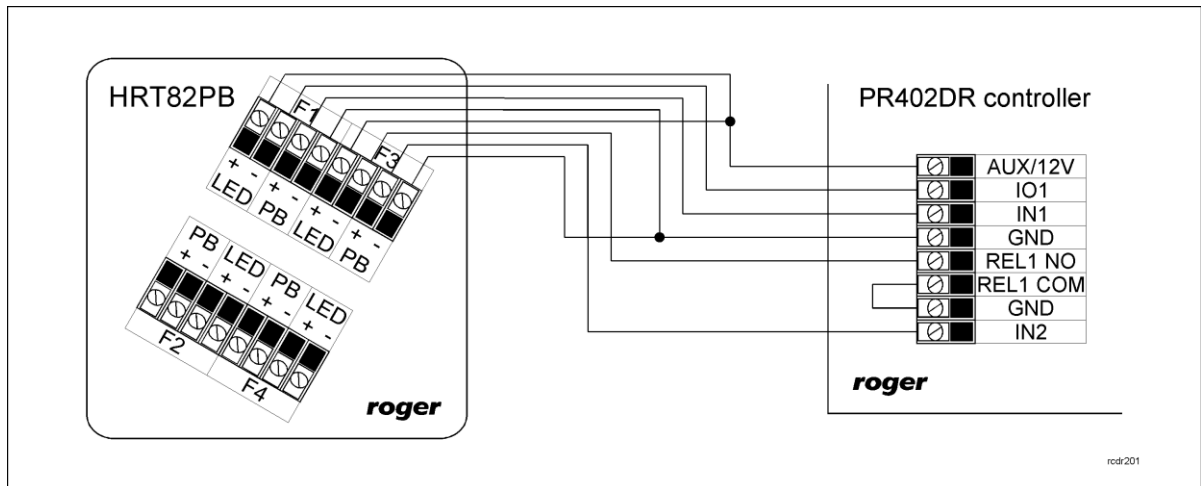


Fig. 2 Example of connection to PR402DR controller

### 3.2 Front panel

#### LED indicators

In the area of each button there is located red LED indicator. Each indicator can be switched on by supplying 12VDC from external source. Indicator is controlled by means of transistor open collector type output or by means of relay output (see fig. 2). Roger controller outputs can be programmed by assigning available functions. In practical applications, indicator is logically associated with button in order to signal that the button was used and adequate function or state was activated.

#### Push buttons

HRT82PB panel is equipped with four push buttons. Each SPST-NO type button offers isolated NO/0,125A/48VDC contact which can be used to control the input of controller or low power load point (up to 5VA). Roger controller inputs can be programmed by assigning available functions.

### 3.3 Wall mounting and installation guidelines

HRT82PB consists of front panel and base which are factory assembled and require manual disassembly prior to installation according to fig. 3.

#### Installation guidelines

- Install device on wall far from sources of heat and moisture
- It is recommended to install device on Ø60mm flush mounting box
- All electric connections must be made with power supply switched off
- Run connection wires through hole in device base and then connect wires to screw terminals
- Front panel can be regularly cleaned with wet cloth and mild detergent. Do not clean by means of abrasive materials and strong cleaners like alcohols, solvents, etc.
- Damages resulting from improper maintenance or use are not covered by warranty

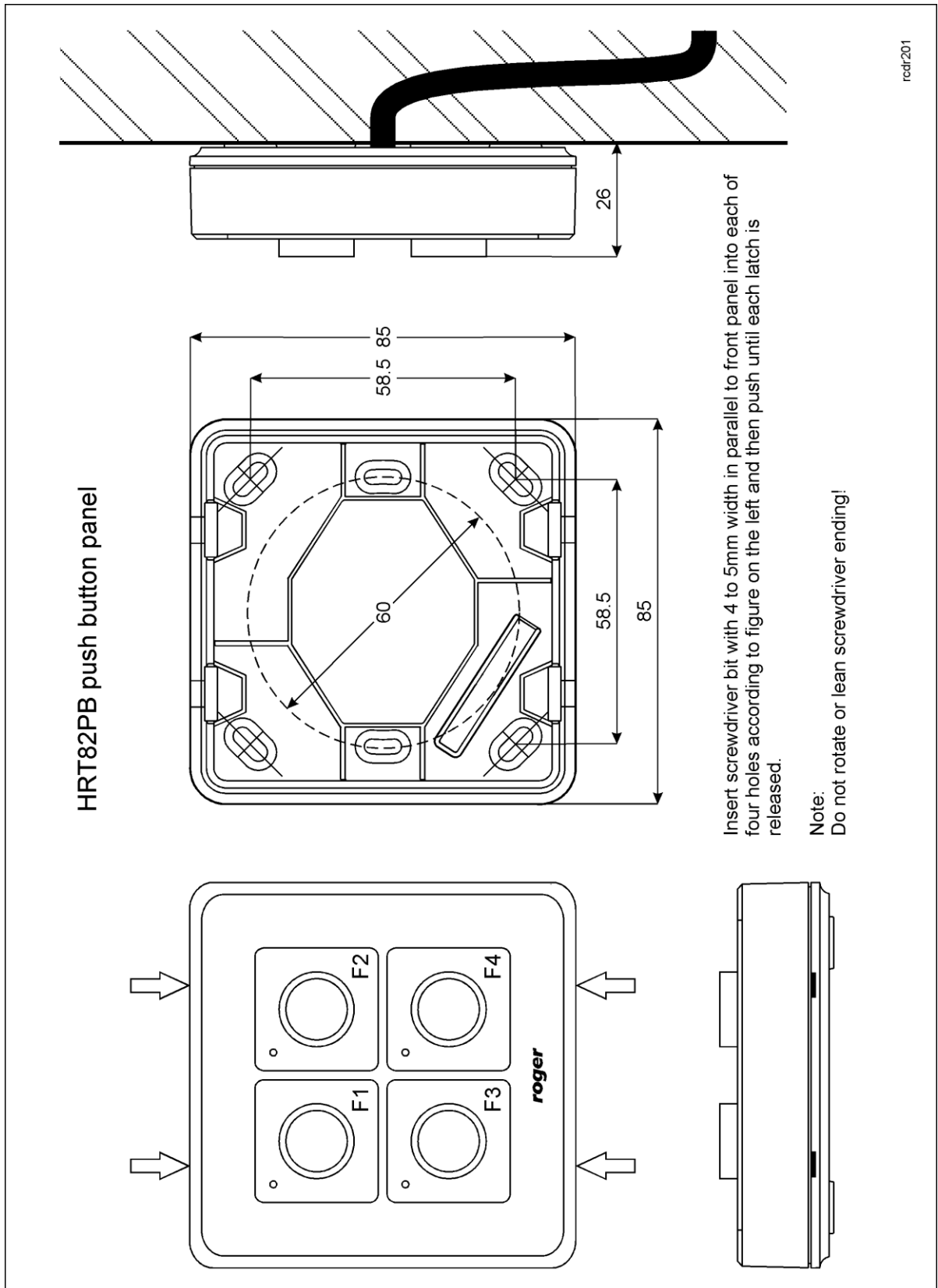


Fig. 3 HRT82PB latches and wall mounting

## 4. CONFIGURATION



The device does not require any configuration or programming.

## 5. ORDERING INFORMATION

<b>Table 3. Ordering information</b>	
HRT82PB	Push button panel

## 6. PRODUCT HISTORY

<b>Table 4. Product history</b>		
Version	Released	Description
HRT82PB v.1.0	07/2015	The first commercial version of the product

 	<p>This symbol placed on a product or packaging indicates that the product should not be disposed of with other wastes as this may have a negative impact on the environment and health. The user is obliged to deliver equipment to the designated collection points of electric and electronic waste. For detailed information on recycling, contact your local authorities, waste disposal company or point of purchase. Separate collection and recycling of this type of waste contributes to the protection of the natural resources and is safe to health and the environment. Weight of the equipment is specified in the document.</p>
---	---

**Contact:**  
**Roger sp. z o.o. sp.k.**  
**82-400 Sztum**  
**Gościszewo 59**  
**Tel.: +48 55 272 0132**  
**Fax: +48 55 272 0133**  
**Tech. support: +48 55 267 0126**  
**E-mail: [support@roger.pl](mailto:support@roger.pl)**  
**Web: [www.roger.pl](http://www.roger.pl)**