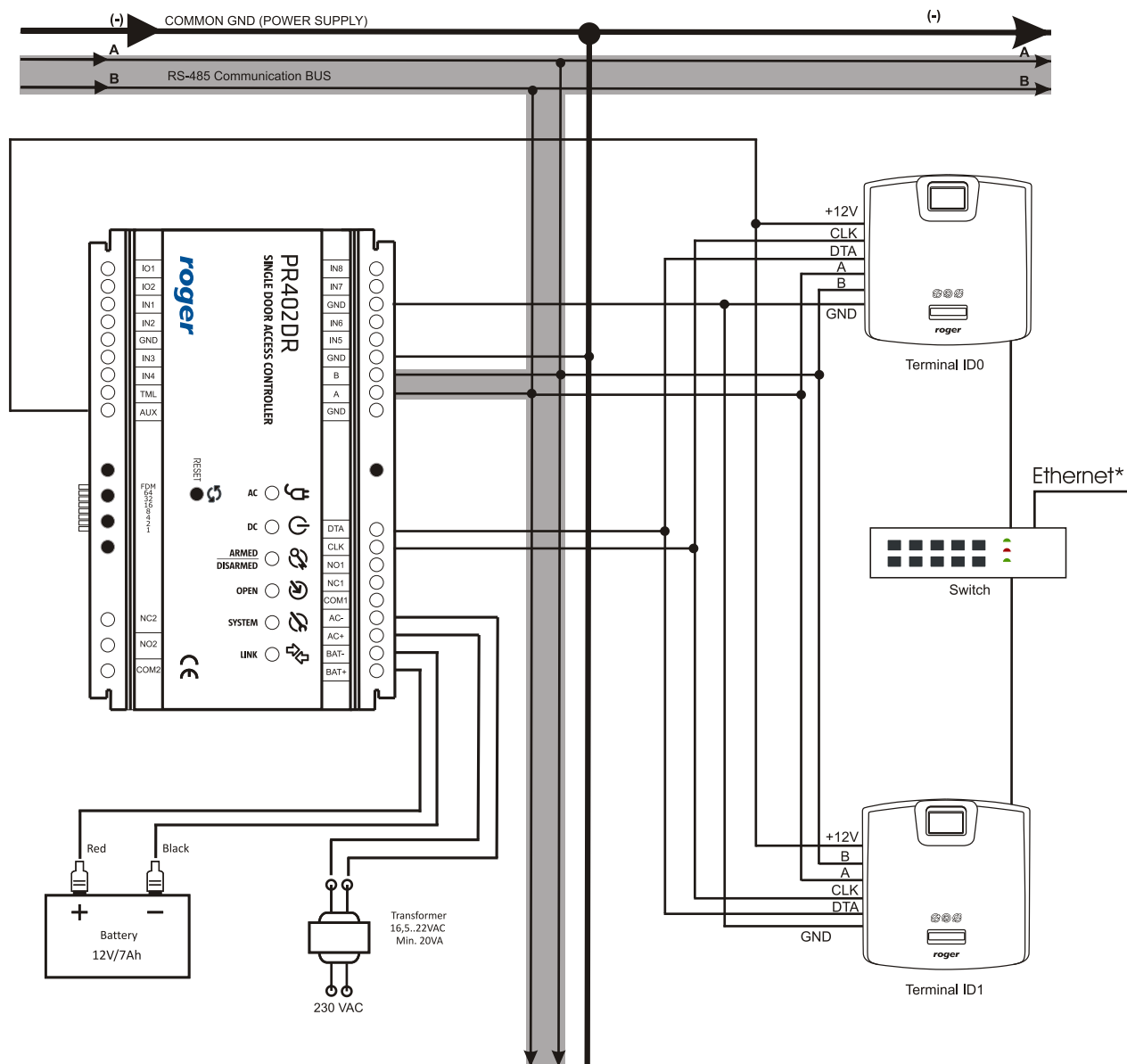




QUICK START GUIDE

Connection and communication of PR402DR access controller and RFT1000 fingerprint readers.

Typical installation of PR402DR access controller and RFT1000 fingerprint readers



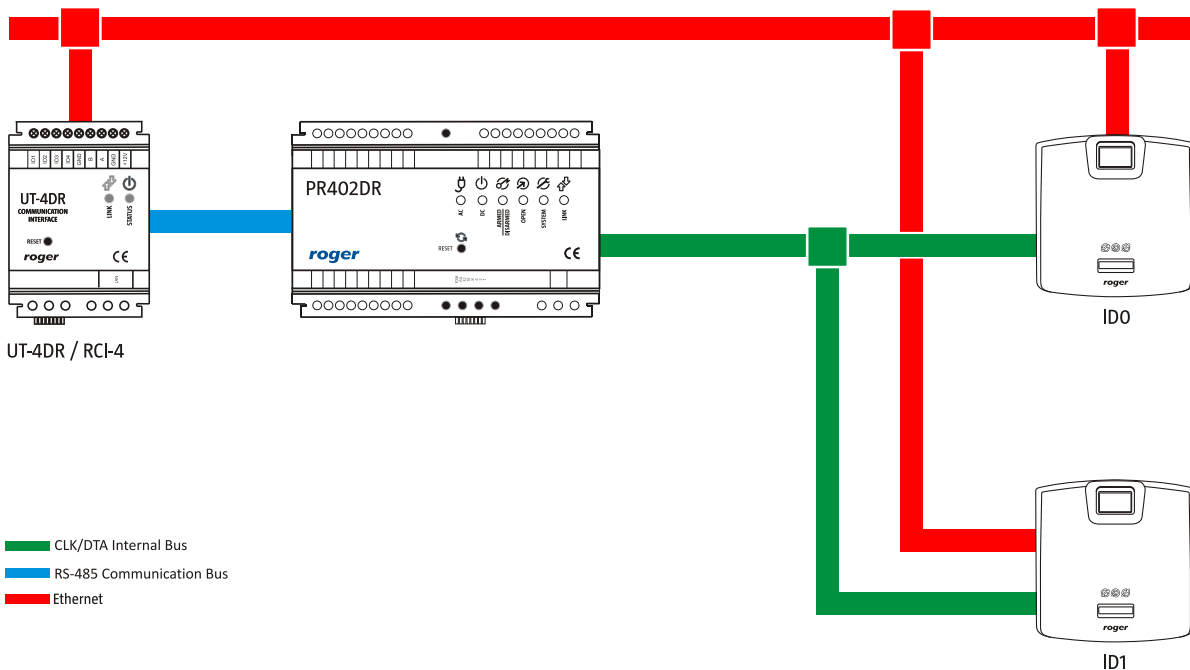
* NOTE! If the system is operated by means of Ethernet port then RS485 bus is not used for communication with RFT1000 readers.

Technical support is available in weekdays:

- from 8:00 am to 4:00 pm at PSTN number +48 55 267 01 26
- from 4:00 pm to 8:00 pm at GSM number +48 664 294 087

Possible scenarios of operation

1. Communication by means of Ethernet port



2. Communication by means of RS485 port

