

SDC66

Card operated lock

Easy installation

Elegant design

Wide range
of applications



roger®

General information

SDC66 lock enables the electronic control of passage (door) by means of prox-keys. Most often, the lock finds its application wherever it is necessary to limit the number of individuals, who can enter a room, at the same time releasing them from the need to use many traditional mechanical keys. SDC66 lock can be installed both indoors and outdoors.

Design

Simple and elegant SDC66 lock can be installed at modern and traditional buildings. The lock is available in three colours and can be matched to different types of interiors and facades.



Dark grey case:
SDC66-G



Silver-metallic case:
SDC66-S



White case:
SDC66-W

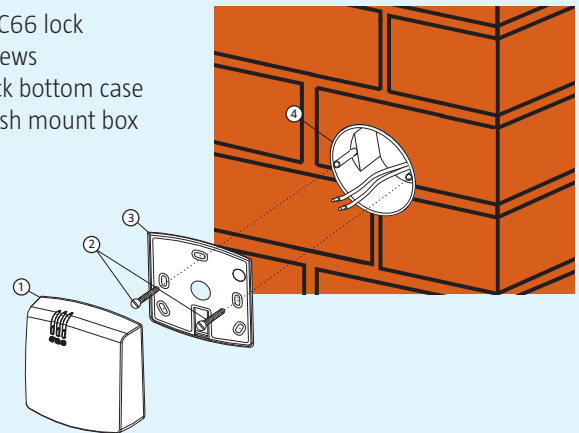
Quick installation, unnecessary programming

Brand new lock is ready to operate right after the installation and additional programming is not required. However it is possible to reprogram the lock in order to adapt it to the requirements of particular installation. For programming user must use MASTER card which is included in the set of brand new device.

Installation

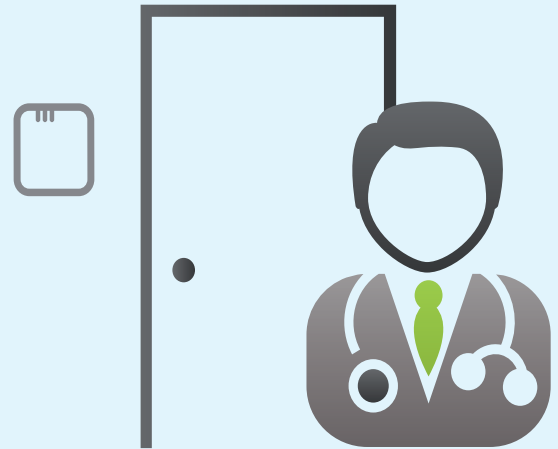
Installation of SDC66 lock is simple, which means that it could be performed both by professional electricians and DIY amateurs. The lock is offered in the set including transformer, mounting accessories and programmed prox-keys. The only necessary, but not included component is the electric door lock, which must be separately selected and purchased by user. SDC66 lock can be mounted in the flush mount box or directly on the wall or door frame. In case of indoor installation, transformer can be placed inside the flush mount box, which significantly simplifies installation of the entire system.

- ① SDC66 lock
- ② Screws
- ③ Lock bottom case
- ④ Flush mount box



Features

- Identification by prox-keys
- Possibility to program up to 120 prox-keys
- Optional operation with unlimited number of prox-keys (each prox-key opens the door)
- Selective enrolment and removal of prox-keys
- Support for Door Contact
- Support for Exit Button
- Relay output 1.5A/30V
- Transistor output 1A/15V
- Alert states signalling
- Possibility to install the lock in the flush mount box or directly on the wall or door frame
- Indoor and outdoor operation
- Supply from 12VAC transformer or 12VDC power supply adapter
- Anti-sabotage protection (tamper)
- CE mark



Applications

- Offices, schools, administration buildings
- Shops
- Hospitals
- Houses, garages
- Lockers, utility rooms
- Gates, entrances
- Toilets
- Other rooms with relatively low anti-burglary protection level

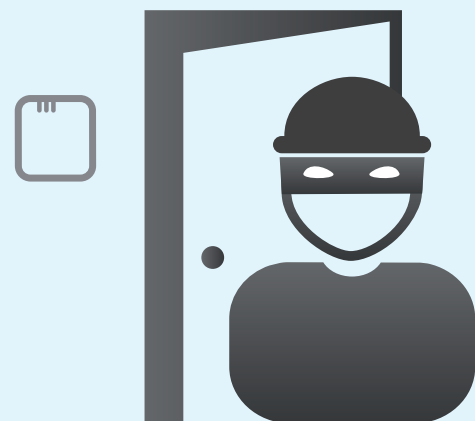
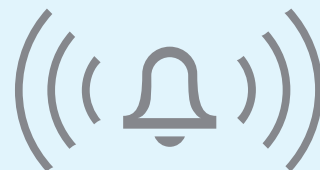
Set includes

- SDC66 lock
- Transformer
- Flush mounting box with set of fixing screws
- MASTER card for programming
- Prox-keys (5 pcs.)
- User manual



Alarming

SDC66 lock is equipped with special contact, which enables recognition of tampering and separation of the case from mounting surface. The contact can be connected to the alarm system or other device used for sabotage actions signalling. Optional signalling device (e.g. alarm signalling device) can be connected to SDC66. Such device shall be triggered if door is opened by force or remains open.



Available versions and symbols	
Symbol	Description
SDC66-G-SET	The lock with accessories and transformer. Dark grey case.
SDC66-W-SET	The lock with accessories and transformer. White case.
SDC66-S-SET	The lock with accessories and transformer. Silver metallic case.
SDC66-G-LOCK	The lock with accessories but without transformer. Dark grey case.
SDC66-W-LOCK	The lock with accessories but without transformer. White case.
SDC66-S-LOCK	The lock with accessories but without transformer. Silver metallic case.
EMKF-4	Proximity tag.
EMC-10	Proximity card.
EMC-7	MASTER card for lock programming.
EA-1	External antenna module for SDC66 lock.

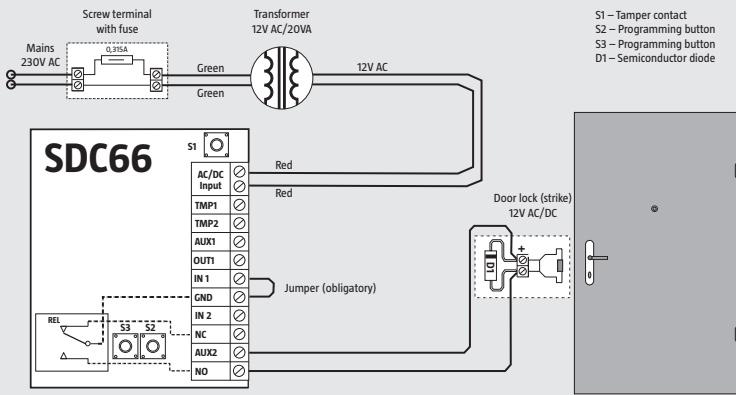


Fig. 1 Installation of SDC66 lock - minimal variant

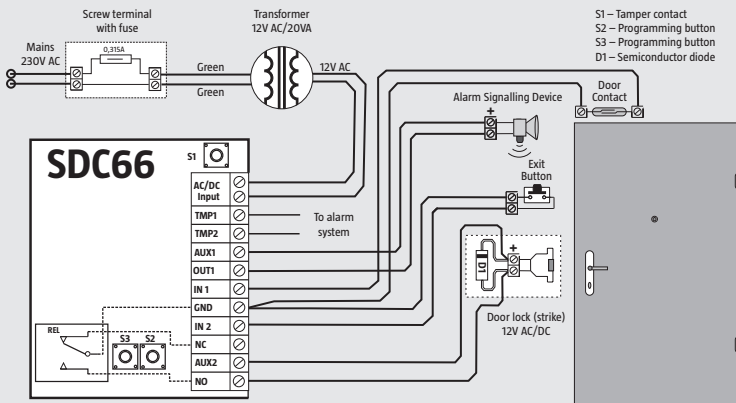


Fig. 2 Installation of SDC66 lock - extended variant

Lock installation – minimal variant (Fig. 1)

Upon the lock installation according to diagram (Fig. 1) and powering up, the lock is ready for the operation. The lock is delivered with 5 prox-keys, which are factory programmed into device memory and can be distributed among the users. When the prox-key is placed close to the lock the door is unlocked for approx. 2s.

Lock installation – extended variant (Fig. 2)

The extended variant allows the access control system to be equipped with additional components as: Exit Button, Door Contact and Alarm Signalling Device. The presence of each of the mentioned components is not necessary and can be omitted depending on the requirements of particular installation.

Exit Button enables door unlocking in the same way as for authorized prox-key and usually opens door from inside.

Door Contact recognizes if door is open or closed. Installation of the contact enables monitoring of alarm condition at particular passage.

Alarm Signalling Device (siren, loudspeaker, lamp) is triggered in case of such alarm condition as door opening by force or left opened door.

Technical specification		
Parameter	Characteristics	Remarks
Supply voltage	12V AC/DC	Acceptable 10 ÷ 15V AC/DC
Current consumption	approx. 50mA	SDC66 lock only
OUT1 line current	1A	When active this line shorts to negative power supply
AUX1 line current	1A	This line delivers unswitched positive power supply
Anti-sabotage (tamper) contact	volt-free contacts, NC type, 50mA/24V, IP67	
Reading distance of prox-keys	up to 7 cm	In optimal position of prox-key against the reader face
Protection rating	IP65	
Dimensions	85x85x27mm	
Operating temperature	from -30°C to +60°C	Can be installed in places exposed to sunlight
Humidity	from 5% to 95%	No condensation
Weight	≈120g	
Certificates	CE	

Dimensions (mm)

